



AMINY

Descriptions

Product code	CC0253UE85
Product description	AMINY Armchair metal black PU taupe Chair upholstered in synthetic leather. Powder coated steel legs.
Origin country	CN

Dimensions

Height x Width x Depth (cm)	87 cm	x	60 cm	x	56 cm
Product weight (kg)	7,6 Kg				
Seat height (cm)	48				
Seat width (cm)	37				
Seat depth (cm)	45				
Armrest height (cm)	65				
Armrest width (cm)	4				
Backrest height (cm)	39				

Technical drawings



Features

Use (domestic/contract/office)	Domestic
Indoor (yes/no)	Yes
Alfresco (yes/no)	No
Outdoor (yes/no)	No
Stackable (yes/no)	No
Stacks up to	
Max. load (kg)	130
Adjustable height (yes/no)	No
Adjustable height mechanism description	N/A

Foldable (yes/no)	No
Swivel (yes/no)	No
Reclining (yes/no)	No
Armrest included (yes/no)	Yes
Padded (yes/no)	Yes
Footrest included (yes/no)	No
Fabric durability resistance (Martindale cycles)	>15.000
Water repellent (yes/no)	No
Stain resistant (yes/no)	No
Fire resistant (yes/no)	No
UV resistance level (1-5)	
Removable chair cover (yes/no)	No
Removable cover parts description	N/A
Adjustable feet (yes/no)	No
Castors information	N/A
Cushion included (yes/no)	No
Cushion removable cover (yes/no)	N/A

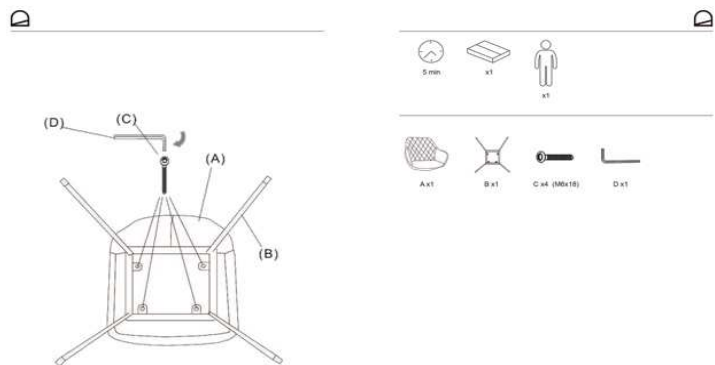
Materials

Main material	Synthetic Leather
Frame construction	Steel
Main finishing	Upholstered
Seat material details	Synthetic leather, Foam, Low emissions Plywood E0 class
Backrest material details	Synthetic leather, Foam, Low emissions Plywood E0 class
Armrest material details	Synthetic leather, Foam, Low emissions Plywood E0 class
Fabric type & specifications	Synthetic leather
Fabric composition	100% PU (Polyurethane)
Fabric grammage (g/m2)	
Upholstery fill material	Foam
Foam density (kg/m3)	24
Legs material	Steel
Legs finishing	Powder coated painted
Feet pad type	Plastic pad
Cushion fabric type	N/A
Cushion fabric composition	
Cushion grammage (g/m2)	
Cushion fill material	N/A
Cushion thickness (cm)	

Assembly

Unpacking time (min)	5
Assembly required (yes/no)	Yes
Difficulty of assembly	Easy
People required	1
Assembly time (min)	5
Assembly suggestions	Turn the seat upside down and tighten the screws. Check and classify all fittings before starting the assembly. Assemble on a soft surface.

Assembly instructions



Care & Warranties

General warnings	Do not place near direct sources of heat. Keep away from direct solar light. Do not use abrasive products like acetones, bleaches, solvents, etc. Sharp elements can scratch the product surface.
Specific use and care instructions	Clean the product with a wet cloth dampened in a mild cleaner and dry immediately. Dust it with a duster.
Specific use and care instructions for outdoor	N/A
Years of guarantee	2
Made according to	EN 12520:2015+EN1022:2018 for household use seats
FSC certified (yes/no)	No
PEFC certified (yes/no)	No
FLEGT license (yes/no)	N/A
Variation type	No natural variation, Light and environment conditions may distort the color
Purposeful distressing type	No distressing
Additional information	

Packaging

Units per lot	
Cbm (m3) / Gross weight (Kg)	0,151 / 9,4
Nº of boxes	1
Box 1	1
Description	AMINY Armchair metal black PU taupe
Description box	FULL ITEM
Height x Width x Depth (cm)	75 x 66 x 61
Cbm (m3) / Gross weight (Kg) / Net weight (Kg)	0,151 / 9,4 / 7,6
Box 2	
Description	
Description box	
Height x Width x Depth (cm)	x x
Cbm (m3) / Gross weight (Kg) / Net weight (Kg)	/ /
Box 3	
Description	
Description box	
Height x Width x Depth (cm)	x x
Cbm (m3) / Gross weight (Kg) / Net weight (Kg)	/ /