



CIRA

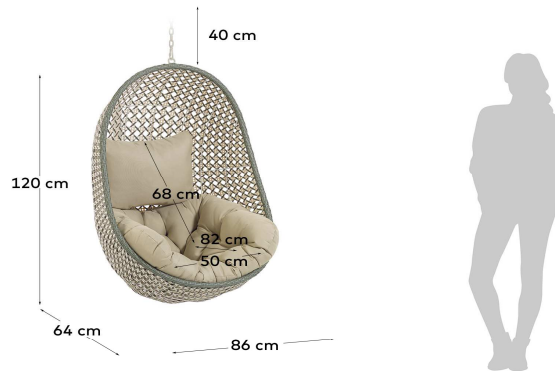
Descriptions

Product code	CC5963FN35
Product description	Cira multicoloured hanging chair Want to create an exotic feel at home? This polyrattan design is a must for lounging indoors or in your covered outdoor spaces. With comfy cushions included, get ready for a new level of relaxation.
Origin country	CN

Dimensions

Height x Width x Depth (cm)	120 cm	x	86 cm	x	64 cm
Product weight (kg)	8,4 Kg				
Seat height (cm)					
Seat width (cm)	50				
Seat depth (cm)	82				
Armrest height (cm)					
Armrest width (cm)					

Technical drawings



Features

Use (domestic/contract/office)	Domestic+
Indoor (yes/no)	Yes
Alfresco (yes/no)	Yes
Outdoor (yes/no)	No
Seating capacity	1
Max. load (kg)	110
Stackable (yes/no)	N/A
Stacks up to	
Foldable (yes/no)	No

Reclining (yes/no)	No
Sliding seat (yes/no)	No
Swivel (yes/no)	No
Fabric durability resistance (Martindale cycles)	
Water repellent (yes/no)	No
Stain resistant (yes/no)	No
Fire resistant (yes/no)	No
UV resistance level (1-5)	3
Seat detachable (yes/no)	Yes
Seat removable cover (yes/no)	No
Backrest detachable (yes/no)	
Backrest removable cover (yes/no)	
Adjustable feet (yes/no)	
Armrest included (yes/no)	
Armrest type	
Armrest removable cover (yes/no)	
Headrest included (yes/no)	No
Headrest detachable (yes/no)	
Headrest removable cover (yes/no)	
Cushion included (yes/no)	Yes
Number of cushions	1
Cushion removable cover (yes/no)	No
Storage included (yes/no)	N/A
Storage capacity (l)	
Storage lifting mechanism	N/A
Footrest included (yes/no)	N/A
Footstool included (yes/no)	

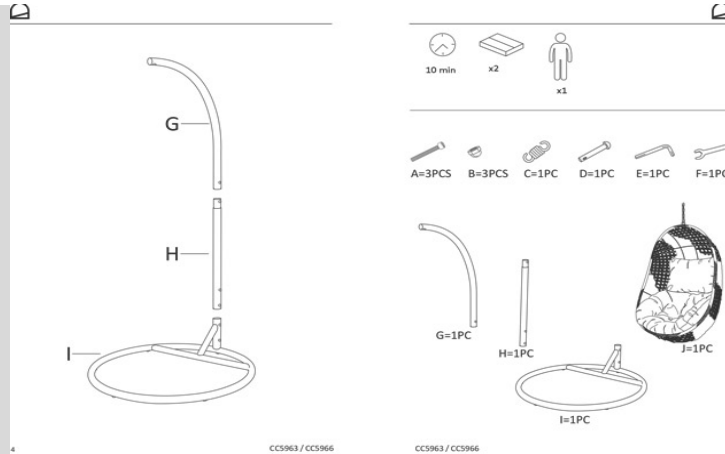
Materials

Main material	Wicker/Rattan/Other natural fibers
Fabric type & specifications	Acrylic fibers
Fabric composition	100% Polyester
Fabric grammage (g/m2)	
Frame construction	Steel
Seat material details	Polyester, Cotton
Seat fill material	Cotton
Seat foam density (kg/m3)	
Backrest material details	Polyester, Cotton
Backrest fill material	Cotton
Backrest foam density (kg/m3)	
Legs material	
Legs finishing	
Feet pad type	
Armrest material details	
Armrest density foam (kg/m3)	
Headrest material details	
Headrest density foam (kg/m3)	
Cushion fabric type	Acrylic fibers
Cushion fabric composition	100% Polyester
Cushion grammage (g/m2)	
Cushion fill material	Cotton
Cushion thickness (cm)	15

Assembly

Unpacking time (min)	3
Assembly required (yes/no)	No
Difficulty of assembly	This does not apply to the product
People required	
Assembly time (min)	
Assembly suggestions	

Assembly instructions



Care & Warranties

General warnings	Use appropriate fittings to fix your product to the ceiling or to the supporting structure. We recommend this installation to be done by a professional. Periodically check the wear and fittings as they have not deteriorated.
Specific use and care instructions	Seat cushions and backrest cushions: Cold washing. Other parts: Clean with a dry cloth
Specific use and care instructions for outdoor	Store the furniture in a dry indoor place. If you want to leave it outdoors, protect it with a waterproof cover in autumn, winter and rainy season.
Years of guarantee	2
Made according to	EN 581:2017 for outdoor household use seats
FSC certified (yes/no)	N/A
PEFC certified (yes/no)	N/A
FLEGT license (yes/no)	N/A
Variation type	No natural variation, Light and environment conditions may distort the color
Purposeful distressing type	No distressing
Additional information	Heavy load, sun exposure and wet weather reduce product life. Before use check the resistance of product as it hasn't loss capacity. Never leave children alone in product. Do not stand on it; your product is not a gym equipment. Not misuse as a swing

Packaging

Units per lot					
Cbm (m3) / Gross weight (Kg)	0,721	/	20,2		
Nº of boxes	1				
Box 1	1				
Description	Cira multicoloured hanging chair				
Description box	FULL ITEM				
Height x Width x Depth (cm)	65,5	x	128	x	86
Cbm (m3) / Gross weight (Kg) / Net weight (Kg)	0,721	/	20,2	/	8,4
Box 2					
Description					
Description box					
Height x Width x Depth (cm)		x		x	
Cbm (m3) / Gross weight (Kg) / Net weight (Kg)		/		/	
Box 3					
Description					
Description box					
Height x Width x Depth (cm)		x		x	
Cbm (m3) / Gross weight (Kg) / Net weight (Kg)		/		/	

