



DUKA

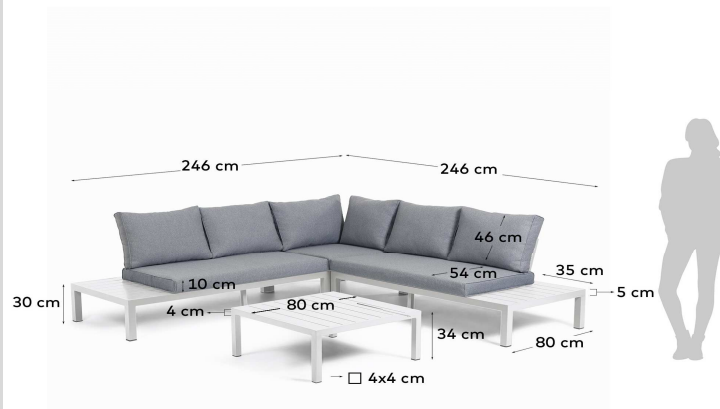
Descriptions

Product code	S656J03
Product description	Modular 5 seater corner sofa and Duka table in white aluminium Get the very best out of your terrace with the Duka sofa. Being modular, it adapts easily to any space. Made from weather-proof aluminium, it's especially resistant and long-lasting.
Origin country	CN

Dimensions

Height x Width x Depth (cm)	65 cm	x	246 cm	x	246 cm
Product weight (kg)	64,1 Kg				
Seat height (cm)	40				
Seat width (cm)	180				
Seat depth (cm)	54				
Armrest height (cm)					
Armrest width (cm)					

Technical drawings



Features

Use (domestic/contract/office)	Domestic
Indoor (yes/no)	Yes
Alfresco (yes/no)	Yes
Outdoor (yes/no)	Yes
Seating capacity	5
Max. load (kg)	
Stackable (yes/no)	No
Stacks up to	
Foldable (yes/no)	No

Reclining (yes/no)	No
Sliding seat (yes/no)	No
Swivel (yes/no)	No
Fabric durability resistance (Martindale cycles)	
Water repellent (yes/no)	Yes
Stain resistant (yes/no)	Yes
Fire resistant (yes/no)	No
UV resistance level (1-5)	
Seat detachable (yes/no)	Yes
Seat removable cover (yes/no)	Yes
Backrest detachable (yes/no)	Yes
Backrest removable cover (yes/no)	Yes
Adjustable feet (yes/no)	Yes
Armrest included (yes/no)	No
Armrest type	N/A
Armrest removable cover (yes/no)	N/A
Headrest included (yes/no)	No
Headrest detachable (yes/no)	N/A
Headrest removable cover (yes/no)	N/A
Cushion included (yes/no)	No
Number of cushions	
Cushion removable cover (yes/no)	N/A
Storage included (yes/no)	No
Storage capacity (l)	
Storage lifting mechanism	N/A
Footrest included (yes/no)	No
Footstool included (yes/no)	

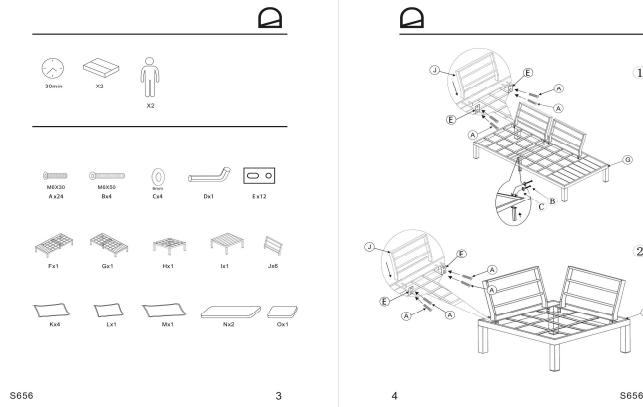
Materials

Main material	Metal
Fabric type & specifications	
Fabric composition	
Fabric grammage (g/m2)	
Frame construction	N/A
Seat material details	Aluminium, Foam
Seat fill material	Foam
Seat foam density (kg/m3)	22
Backrest material details	Aluminium, Foam
Backrest fill material	Foam
Backrest foam density (kg/m3)	
Legs material	Aluminium
Legs finishing	Powder coated painted, Sanded, Matt
Feet pad type	Plastic pad
Armrest material details	N/A
Armrest density foam (kg/m3)	
Headrest material details	N/A
Headrest density foam (kg/m3)	
Cushion fabric type	N/A
Cushion fabric composition	
Cushion grammage (g/m2)	
Cushion fill material	N/A
Cushion thickness (cm)	

Assembly

Unpacking time (min)	10
Assembly required (yes/no)	Yes
Difficulty of assembly	Medium
People required	2
Assembly time (min)	20
Assembly suggestions	Assemble on a soft protecting surface.

Assembly instructions



Care & Warranties

General warnings	We recommend keeping this product covered in autumn, winter and rainy season. Do not use abrasive products like acetones, bleaches, solvents, etc.
Specific use and care instructions	Removable parts: Cold washing. Others: Clean with a dry cloth or vacuum, to clean stains use dry stain removers. If some liquid is spilt over the sofa it should be dried off as soon as possible.
Specific use and care instructions for outdoor	Store the furniture in a dry indoor place. If you want to leave it outdoors, protect it with a waterproof cover in autumn, winter and rainy season.
Years of guarantee	2
Made according to	
FSC certified (yes/no)	
PEFC certified (yes/no)	
FLEGT license (yes/no)	
Variation type	No natural variation, Light and environment conditions may distort the color
Purposeful distressing type	No distressing
Additional information	

Packaging

Units per lot					
Cbm (m3) / Gross weight (Kg)	1.302	/	64,1		
Nº of boxes	2				
Box 1	1				
Description	Modular 5 seater corner sofa and Duka table in white aluminium				
Description box	2 SOFAS				
Height x Width x Depth (cm)	56	x	179	x	94
Cbm (m3) / Gross weight (Kg) / Net weight (Kg)	0,942	/	42,1	/	33
Box 2	2				
Description	Modular 5 seater corner sofa and Duka table in white aluminium				
Description box	CORNER SEAT + COFFEE TABLE				
Height x Width x Depth (cm)	45	x	91	x	88
Cbm (m3) / Gross weight (Kg) / Net weight (Kg)	0,360	/	22	/	16,5
Box 3					
Description					
Description box					
Height x Width x Depth (cm)		x		x	
Cbm (m3) / Gross weight (Kg) / Net weight (Kg)		/		/	

