



# ADAH

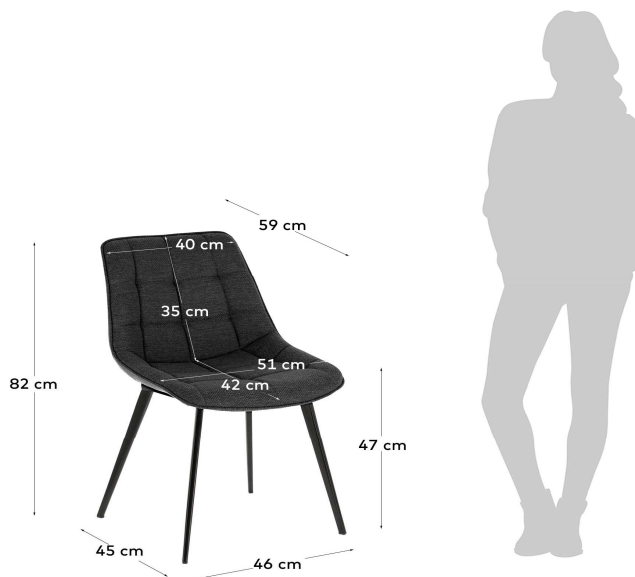
### Descriptions

Product code	CC0248VD15
Product description	ADAH Chair legs epoxy seat fabric dark grey With this Adam chair, as well as sitting comfortably, you will do it without worries. Its padding is plaid, and it is upholstered with a grey stain-resistant fabric, which repels liquids that may fall on it and is easier to clean. It also has a struc
Origin country	CN

### Dimensions

Height x Width x Depth (cm)	82 cm	x	51 cm	x	59 cm
Product weight (kg)	6,7 Kg				
Seat height (cm)	47				
Seat width (cm)	33				
Seat depth (cm)	42				
Armrest height (cm)					
Armrest width (cm)					
Backrest height (cm)	35				

### Technical drawings



### Features

Use (domestic/contract/office)	Domestic+
Indoor (yes/no)	Yes
Alfresco (yes/no)	No
Outdoor (yes/no)	No
Stackable (yes/no)	No
Stacks up to	
Max. load (kg)	130
Adjustable height (yes/no)	No
Adjustable height mechanism description	N/A

Foldable (yes/no)	No
Swivel (yes/no)	No
Reclining (yes/no)	No
Armrest included (yes/no)	No
Padded (yes/no)	Yes
Footrest included (yes/no)	No
Fabric durability resistance (Martindale cycles)	>22.000
Water repellent (yes/no)	Yes
Stain resistant (yes/no)	Yes
Fire resistant (yes/no)	No
UV resistance level (1-5)	
Removable chair cover (yes/no)	No
Removable cover parts description	N/A
Adjustable feet (yes/no)	No
Castors information	N/A
Cushion included (yes/no)	No
Cushion removable cover (yes/no)	N/A

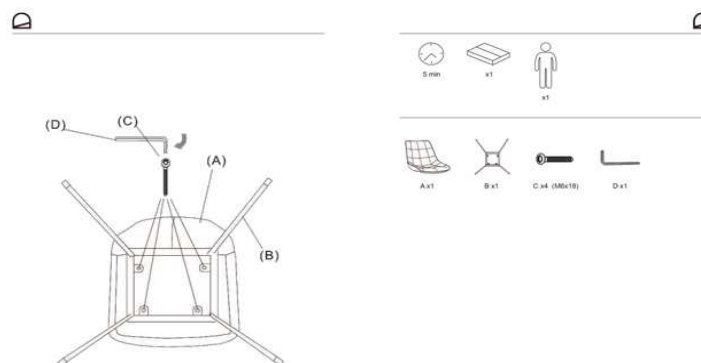
**Materials**

Main material	Fabric
Frame construction	Steel
Main finishing	Upholstered
Seat material details	Fabric, Foam, Low emissions Plywood E0 class
Backrest material details	Fabric, Foam, Low emissions Plywood E0 class
Armrest material details	N/A
Fabric type & specifications	Twill
Fabric composition	100% Polypropylene
Fabric grammage (g/m2)	260
Upholstery fill material	Foam
Foam density (kg/m3)	24
Legs material	Steel
Legs finishing	Powder coated painted, Matt
Feet pad type	Plastic pad
Cushion fabric type	N/A
Cushion fabric composition	
Cushion grammage (g/m2)	
Cushion fill material	N/A
Cushion thickness (cm)	

**Assembly**

Unpacking time (min)	5
Assembly required (yes/no)	Yes
Difficulty of assembly	Easy
People required	1
Assembly time (min)	5
Assembly suggestions	Turn the seat upside down and tighten the screws. Check and classify all fittings before starting the assembly. Assemble on a soft surface.

**Assembly instructions**



**Care & Warranties**

General warnings	Do not place near direct sources of heat. Keep away from direct solar light. Do not use abrasive products like acetones, bleaches, solvents, etc. Sharp elements can scratch the product surface.
Specific use and care instructions	Clean the product with a wet cloth dampened in a mild cleaner and dry immediately. Dust it with a duster.
Specific use and care instructions for outdoor	N/A
Years of guarantee	2
Made according to	EN 12520:2015+EN1022:2018 for household use seats
FSC certified (yes/no)	No
PEFC certified (yes/no)	No
FLEGT license (yes/no)	N/A
Variation type	No natural variation, Light and environment conditions may distort the color
Purposeful distressing type	No distressing
Additional information	

**Packaging**

Units per lot	
Cbm (m3) / Gross weight (Kg)	0,116 / 7,9
Nº of boxes	1
Box 1	1
Description	ADAH Chair legs epoxy seat fabric dark grey
Description box	FULL ITEM
Height x Width x Depth (cm)	64 x 66 x 55
Cbm (m3) / Gross weight (Kg) / Net weight (Kg)	0,116 / 7,9 / 6,7
Box 2	
Description	
Description box	
Height x Width x Depth (cm)	x x
Cbm (m3) / Gross weight (Kg) / Net weight (Kg)	/ /
Box 3	
Description	
Description box	
Height x Width x Depth (cm)	x x
Cbm (m3) / Gross weight (Kg) / Net weight (Kg)	/ /