



LEGARA

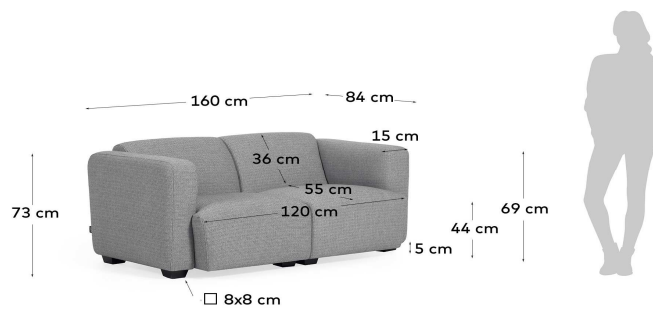
Descriptions

Product code	S754MN14
Product description	Legara 2-seater sofa in grey 160 cm New member of the family? You can design your own sofa thanks to the modular Legara collection, with pieces to mix and match.
Origin country	CN

Dimensions

Height x Width x Depth (cm)	73 cm	x	160 cm	x	84 cm
Product weight (kg)	35,1 Kg				
Seat height (cm)	44				
Seat width (cm)	120				
Seat depth (cm)	55				
Armrest height (cm)	69				
Armrest width (cm)	15				

Technical drawings



Features

Use (domestic/contract/office)	Domestic
Indoor (yes/no)	Yes
Alfresco (yes/no)	No
Outdoor (yes/no)	No
Seating capacity	2
Max. load (kg)	300
Stackable (yes/no)	No
Stacks up to	
Foldable (yes/no)	No

Reclining (yes/no)	No
Sliding seat (yes/no)	No
Swivel (yes/no)	N/A
Fabric durability resistance (Martindale cycles)	>35.000
Water repellent (yes/no)	No
Stain resistant (yes/no)	Yes
Fire resistant (yes/no)	No
UV resistance level (1-5)	
Seat detachable (yes/no)	No
Seat removable cover (yes/no)	No
Backrest detachable (yes/no)	No
Backrest removable cover (yes/no)	No
Adjustable feet (yes/no)	No
Armrest included (yes/no)	No
Armrest type	Square
Armrest removable cover (yes/no)	No
Headrest included (yes/no)	No
Headrest detachable (yes/no)	
Headrest removable cover (yes/no)	
Cushion included (yes/no)	No
Number of cushions	
Cushion removable cover (yes/no)	N/A
Storage included (yes/no)	No
Storage capacity (l)	
Storage lifting mechanism	
Footrest included (yes/no)	No
Footstool included (yes/no)	

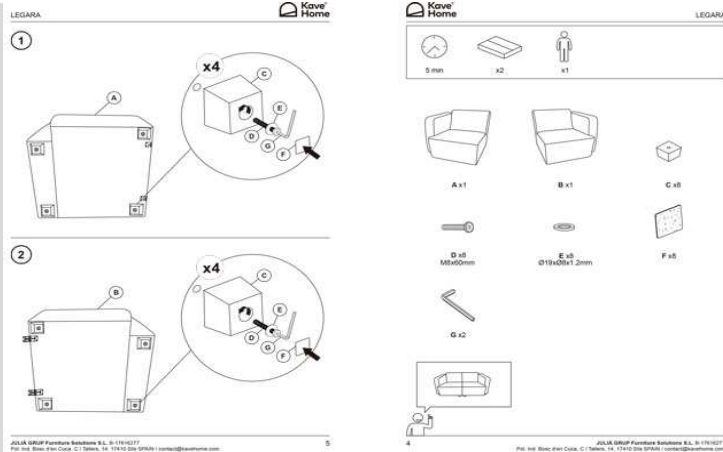
Materials

Main material	Solid wood
Fabric type & specifications	Chenille
Fabric composition	100% Polyester
Fabric grammage (g/m2)	500
Frame construction	Eucalyptus wood (Eucalyptus camaldunensis), Steel, Springs Zig-zag
Seat material details	Fabric, Eucalyptus wood (Eucalyptus camaldunensis), Foam, Springs Zig-zag
Seat fill material	Foam
Seat foam density (kg/m3)	30
Backrest material details	Fabric, Eucalyptus wood (Eucalyptus camaldunensis), Foam, Flock
Backrest fill material	Foam
Backrest foam density (kg/m3)	22
Legs material	Rubber wood (Ficus elastica)
Legs finishing	Painted
Feet pad type	Felt pad
Armrest material details	Fabric, Eucalyptus wood (Eucalyptus camaldunensis), Foam
Armrest density foam (kg/m3)	25
Headrest material details	
Headrest density foam (kg/m3)	
Cushion fabric type	
Cushion fabric composition	
Cushion grammage (g/m2)	
Cushion fill material	
Cushion thickness (cm)	

Assembly

Unpacking time (min)	10
Assembly required (yes/no)	Yes
Difficulty of assembly	Easy
People required	1
Assembly time (min)	5
Assembly suggestions	

Assembly instructions



Care & Warranties

General warnings	Do not place near direct sources of heat. Keep away from direct solar light. Do not use abrasive products like acetones, bleaches, solvents, etc. Sharp elements can scratch the product surface.
Specific use and care instructions	Clean with a damp cloth in a mild cleaner and dry immediately.
Specific use and care instructions for outdoor	
Years of guarantee	2
Made according to	EN 12520:2015+EN1022:2018 for household use seats
FSC certified (yes/no)	No
PEFC certified (yes/no)	No
FLEGT license (yes/no)	N/A
Variation type	No natural variation, Light and environment conditions may distort the color
Purposeful distressing type	No distressing
Additional information	

Packaging

Units per lot				
Cbm (m3) / Gross weight (Kg)	1.076	/	43,58	
Nº of boxes	2			
Box 1	S748MN14 - 1			
Description	Legara grey seat with right-hand armrest 80 cm			
Description box	FULL ITEM			
Height x Width x Depth (cm)	70	x	90,5	x 84,5
Cbm (m3) / Gross weight (Kg) / Net weight (Kg)	0,535	/	21,66	/ 19,72
Box 2	S749MN14 - 2			
Description	Legara grey seat with left-hand armrest 80 cm			
Description box	FULL ITEM			
Height x Width x Depth (cm)	70	x	91	x 85
Cbm (m3) / Gross weight (Kg) / Net weight (Kg)	0,541	/	21,92	/ 19,98
Box 3				
Description				
Description box				
Height x Width x Depth (cm)		x		x
Cbm (m3) / Gross weight (Kg) / Net weight (Kg)		/		/

