



# THEONE

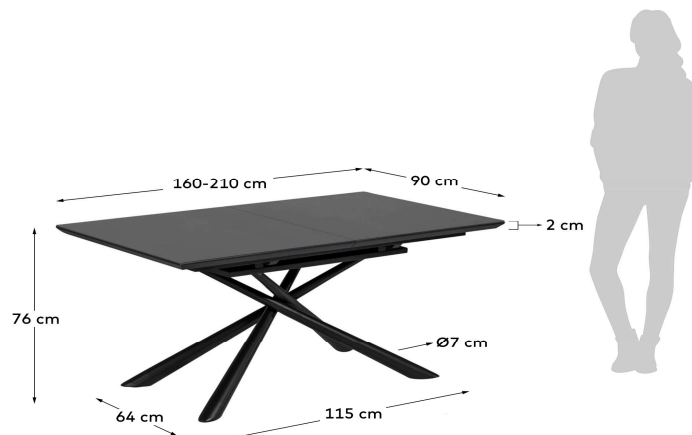
## Descriptions

Product code	CC5177C01
Product description	Theone extendable table 160 (210) x 90 cm glass Thanks to this extendable table, with a satin glass finish, there will always be room for your guests. The structure with crossed legs will give you more leg space and adds extra comfort.
Origin country	CN

## Dimensions

Height x Width x Depth (cm)	76 cm	x	160 / 210 cm	x	90 cm
Product weight (Kg)	78,5 Kg				
Top thickness (mm)	21				
Leaf sizes	50 X 90				

## Technical drawings



## Features

Use (domestic/contract/office)	Domestic+
Indoor (yes/no)	Yes
Alfresco (yes/no)	No
Outdoor (yes/no)	No
Extendible (yes/no)	Yes
Adjustable height (yes/no)	No
Foldable (yes/no)	No
Seating capacity	6
Seating capacity fully extended	8
Max. load (kg)	100
Top edge type	Flat
Scratch and wear resistance (Mohs scale)	3
Hardness (Rockwell method)	



Additional information

**Packaging**

Units per lot					
Cbm (m3) / Gross weight (Kg)	0,469	/	99,3		
Nº of boxes	3				
Box 1	1				
Description	Theone extendable table 160 (210) x 90 cm glass				
Description box	TOP				
Height x Width x Depth (cm)	19	x	174	x	107
Cbm (m3) / Gross weight (Kg) / Net weight (Kg)	0,354	/	75	/	59,3
Box 2	2				
Description	Theone extendable table 160 (210) x 90 cm glass				
Description box	JOINT PLATE				
Height x Width x Depth (cm)	8	x	100	x	57
Cbm (m3) / Gross weight (Kg) / Net weight (Kg)	0,046	/	10,3	/	8,1
Box 3	3				
Description	Theone extendable table 160 (210) x 90 cm glass				
Description box	LEGS				
Height x Width x Depth (cm)	36	x	137	x	14
Cbm (m3) / Gross weight (Kg) / Net weight (Kg)	0,069	/	14	/	11,1
Box 4					
Description					
Description box					
Height x Width x Depth (cm)		x		x	
Cbm (m3) / Gross weight (Kg) / Net weight (Kg)		/		/	