



# THEONE

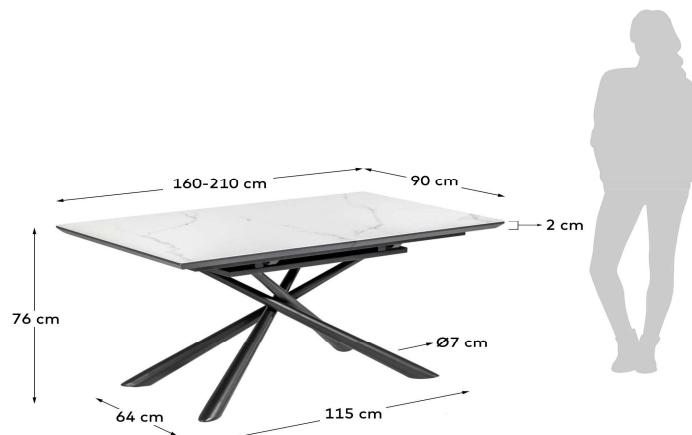
## Descriptions

Product code	CC5167K33
Product description	Theone extendable table 160 (210) x 90 cm porcelain Thanks to this extendable table, with a porcelain top, there will always be room for your guests. The structure with crossed legs will give you more leg space and adds extra comfort.
Origin country	CN

## Dimensions

Height x Width x Depth (cm)	76 cm	x	160 / 210 cm	x	90 cm
Product weight (Kg)	78,5 Kg				
Top thickness (mm)	21				
Leaf sizes	50 X 90				

## Technical drawings



## Features

Use (domestic/contract/office)	Domestic+
Indoor (yes/no)	Yes
Alfresco (yes/no)	No
Outdoor (yes/no)	No
Extendible (yes/no)	Yes
Adjustable height (yes/no)	No
Foldable (yes/no)	No
Seating capacity	6
Seating capacity fully extended	8
Max. load (kg)	100
Top edge type	Flat
Scratch and wear resistance (Mohs scale)	4
Hardness (Rockwell method)	

Extension mechanism type	Butterfly
Number of leaves	1
Stored inside (yes/no)	Yes
Adjustable feet (yes/no)	Yes

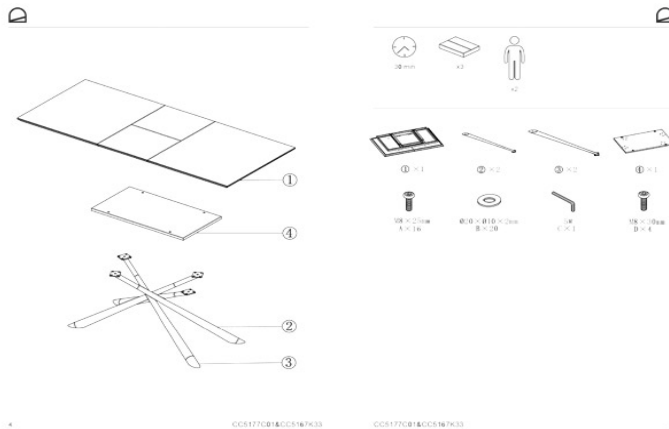
**Materials**

Main material	Ceramic
Top material	Ceramic, Tempered glass, Medium Density Fibers MDF with low formaldehyde emission
Top finishing	Rough
Leaf material	Ceramic, Tempered glass, Medium Density Fibers MDF with low formaldehyde emission
Leaf finishing	Rough
Legs material	Steel
Legs finishing	Powder coated painted, Matt
Feet pad type	Plastic pad

**Assembly**

Unpacking time (min)	5
Assembly required (yes/no)	Yes
Difficulty of assembly	Medium
People required	2
Assembly time (min)	30
Assembly suggestions	Put the top upside down and screw the legs. Check and classify all fittings before starting the assembly. Assemble on a soft surface.

Assembly instructions



**Care & Warranties**

General warnings	Do not place near direct sources of heat. Keep away from direct solar light. Do not use abrasive products like acetones, bleaches, solvents, etc. Sharp elements can scratch the product surface.
Specific use and care instructions	Clean the product with a wet cloth dampened in a mild cleaner and dry immediately. Dust it with a duster.
Specific use and care instructions for outdoor	N/A
Years of guarantee	2
Made according to	EN 12521:2010 for household use tables
FSC certified (yes/no)	No
PEFC certified (yes/no)	No
FLEGT license (yes/no)	N/A
Variation type	Colour tone, Light and environment conditions may distort the color perception
Purposeful distressing type	No distressing

Additional information	Ceramic is made of: quartz, feldspar, clays and natural minerals. Waterproof. Resistant to any kind of chemical cleaning agent. Resistant to high temperatures. Resistant to wear and tear. UV resistant
------------------------	--

**Packaging**

Units per lot	
Cbm (m3) / Gross weight (Kg)	0,469 / 99,3
Nº of boxes	3

Box 1	1
Description	Theone extendable table 160 (210) x 90 cm porcelain
Description box	TOP
Height x Width x Depth (cm)	19 x 174 x 107
Cbm (m3) / Gross weight (Kg) / Net weight (Kg)	0,354 / 75 / 59,3

Box 2	2
Description	Theone extendable table 160 (210) x 90 cm porcelain
Description box	JOINT PLATE
Height x Width x Depth (cm)	8 x 100 x 57
Cbm (m3) / Gross weight (Kg) / Net weight (Kg)	0,046 / 10,3 / 8,1

Box 3	3
Description	Theone extendable table 160 (210) x 90 cm porcelain
Description box	LEGS
Height x Width x Depth (cm)	36 x 137 x 14
Cbm (m3) / Gross weight (Kg) / Net weight (Kg)	0,069 / 14 / 11,1

Box 4	
Description	
Description box	
Height x Width x Depth (cm)	x x
Cbm (m3) / Gross weight (Kg) / Net weight (Kg)	/ /