



# SHIREL

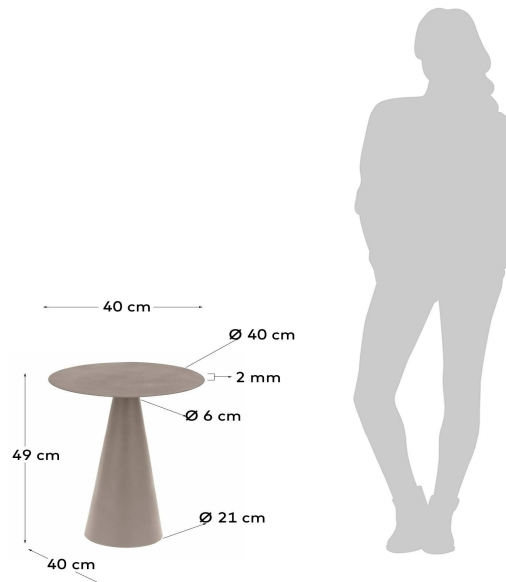
## Descriptions

Product code	CC5160R19
Product description	Shirel side table Ø 38 cm green Side tables are the kind of piece that every living room needs – next the sofa or an armchair while you read or drink a cup of coffee. Our Shirel metal table in greeny-grey also offers a dose of sleek minimalist design.
Origin country	IN

## Dimensions

Height x Width x Depth (cm)	49 cm	x	40 cm	x	40 cm
Product weight (Kg)	5,28 Kg				

## Technical drawings



## Features

Use (domestic/contract/office)	Domestic
Indoor (yes/no)	Yes
Alfresco (yes/no)	No
Outdoor (yes/no)	No
Max. load (kg)	8
Adjustable height (yes/no)	No
Adjustable height mechanism description	N/A
Top tilt angle range	
Feet pad type	Felt pad
Adjustable feet (yes/no)	No
Doors included (yes/no)	N/A
Number of doors	
Door opening system	N/A
Door soft-close function (yes/no)	N/A
Drawers included (yes/no)	N/A
Number of drawers	

Drawer opening system	N/A
Runner guide mechanism	N/A
Runner soft-close function (yes/no)	N/A
Drawers max. load (kg)	
Shelves included (yes/no)	N/A
Number of shelves	
Adjustable shelves (yes/no)	N/A
Shelves max. load (kg)	
Wall brackets antitilting included (yes/no)	N/A

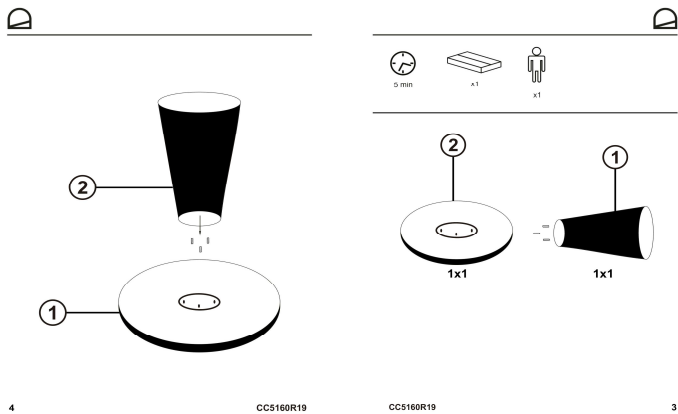
**Materials**

Material description	
Finishing description	
Back processed (yes/no)	N/A
Legs material	Iron
Legs finishing	Powder coated painted
Door material	N/A
Drawer material	N/A
Runner material of the drawers	N/A
Shelves material	N/A

**Assembly**

Unpacking time (min)	5
Assembly required (yes/no)	Yes
Difficulty of assembly	Easy
People required	2
Assembly time (min)	5
Assembly suggestions	Check and classify all fittings before starting the assembly. Assemble on a soft surface.

Assembly instructions



**Care & Warranties**

General warnings	Do not place near direct sources of heat. Keep away from direct solar light. Do not use abrasive products like acetones, bleaches, solvents, etc. Sharp elements can scratch the product surface.
Specific use and care instructions	Clean the product with a wet cloth dampened in a mild cleaner and dry immediately. Dust it with a duster.
Specific use and care instructions for outdoor	
Years of guarantee	2
Made according to FSC certified (yes/no)	No
PEFC certified (yes/no)	
FLEGT license (yes/no)	

Variation type	Light and environment conditions may distort the color perception of the product
Purposeful distressing type	No distressing
Additional information	

**Packaging**

Units per lot	
Cbm (m3) / Gross weight (Kg)	0,065 / 5,6
Nº of boxes	1

Box 1	1
Description	Shirel side table Ø 38 cm green
Description box	FULL ITEM
Height x Width x Depth (cm)	26 x 57 x 44
Cbm (m3) / Gross weight (Kg) / Net weight (Kg)	0,065 / 5,6 / 5,28

Box 2	
Description	
Description box	
Height x Width x Depth (cm)	x x
Cbm (m3) / Gross weight (Kg) / Net weight (Kg)	/ /

Box 3	
Description	
Description box	
Height x Width x Depth (cm)	x x
Cbm (m3) / Gross weight (Kg) / Net weight (Kg)	/ /

Box 4	
Description	
Description box	
Height x Width x Depth (cm)	x x
Cbm (m3) / Gross weight (Kg) / Net weight (Kg)	/ /

Box 5	
Description	
Description box	
Height x Width x Depth (cm)	x x
Cbm (m3) / Gross weight (Kg) / Net weight (Kg)	/ /