



# PARADIGM

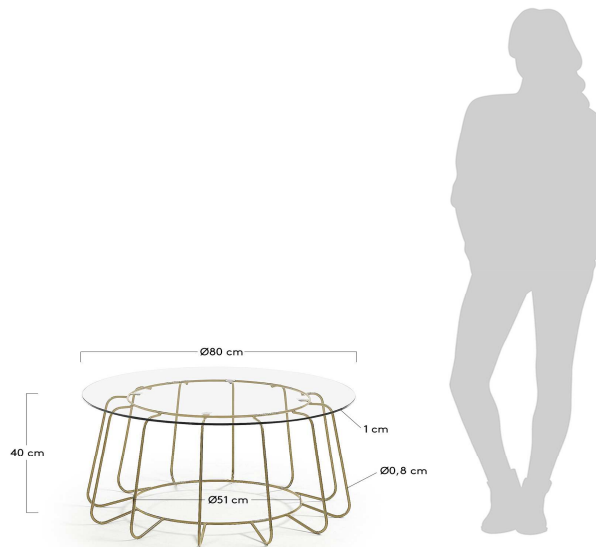
## Descriptions

|                     |                                                                                                         |
|---------------------|---------------------------------------------------------------------------------------------------------|
| Product code        | CC1105C07                                                                                               |
| Product description | Paradigm coffee table Ø 80 cm<br>Coffee table with glass top and golden metal structure. Height: 40 cm. |
| Origin country      | CN                                                                                                      |

## Dimensions

|                             |       |   |       |   |       |
|-----------------------------|-------|---|-------|---|-------|
| Height x Width x Depth (cm) | 40 cm | x | 80 cm | x | 80 cm |
| Product weight (Kg)         | 14 Kg |   |       |   |       |

## Technical drawings



## Features

|                                         |             |
|-----------------------------------------|-------------|
| Use (domestic/contract/office)          | Domestic    |
| Indoor (yes/no)                         | Yes         |
| Alfresco (yes/no)                       | No          |
| Outdoor (yes/no)                        | No          |
| Max. load (kg)                          | 25          |
| Adjustable height (yes/no)              | No          |
| Adjustable height mechanism description | N/A         |
| Top tilt angle range                    |             |
| Feet pad type                           | Plastic pad |
| Adjustable feet (yes/no)                | No          |
| Doors included (yes/no)                 | No          |
| Number of doors                         |             |
| Door opening system                     | N/A         |
| Door soft-close function (yes/no)       | N/A         |
| Drawers included (yes/no)               | No          |
| Number of drawers                       |             |

|                                             |     |
|---------------------------------------------|-----|
| Drawer opening system                       | N/A |
| Runner guide mechanism                      | N/A |
| Runner soft-close function (yes/no)         | N/A |
| Drawers max. load (kg)                      |     |
| Shelves included (yes/no)                   | No  |
| Number of shelves                           |     |
| Adjustable shelves (yes/no)                 | N/A |
| Shelves max. load (kg)                      |     |
| Wall brackets antitilting included (yes/no) | No  |

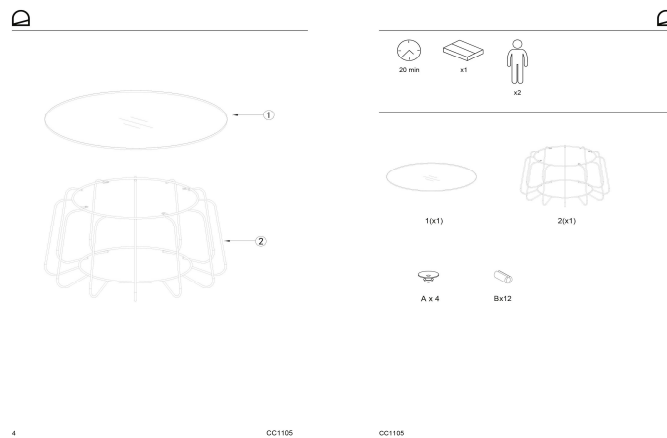
**Materials**

|                                |                |
|--------------------------------|----------------|
| Material description           |                |
| Finishing description          | N/A            |
| Back processed (yes/no)        | Yes            |
| Legs material                  | Steel          |
| Legs finishing                 | Brass, Painted |
| Door material                  | N/A            |
| Drawer material                | N/A            |
| Runner material of the drawers | N/A            |
| Shelves material               | N/A            |

**Assembly**

|                            |      |
|----------------------------|------|
| Unpacking time (min)       | 3    |
| Assembly required (yes/no) | Yes  |
| Difficulty of assembly     | Easy |
| People required            | 1    |
| Assembly time (min)        | 10   |
| Assembly suggestions       |      |

**Assembly instructions**



**Care & Warranties**

|                                                |                                                                                                                                                                                                   |
|------------------------------------------------|---------------------------------------------------------------------------------------------------------------------------------------------------------------------------------------------------|
| General warnings                               | Do not place near direct sources of heat. Keep away from direct solar light. Do not use abrasive products like acetones, bleaches, solvents, etc. Sharp elements can scratch the product surface. |
| Specific use and care instructions             | Clean the product with a wet cloth dampened in a mild cleaner and dry immediately. Dust it with a duster.                                                                                         |
| Specific use and care instructions for outdoor |                                                                                                                                                                                                   |
| Years of guarantee                             | 2                                                                                                                                                                                                 |
| Made according to                              |                                                                                                                                                                                                   |
| FSC certified (yes/no)                         | N/A                                                                                                                                                                                               |
| PEFC certified (yes/no)                        | N/A                                                                                                                                                                                               |
| FLEGT license (yes/no)                         | N/A                                                                                                                                                                                               |

|                             |                                                                              |
|-----------------------------|------------------------------------------------------------------------------|
| Variation type              | No natural variation, Light and environment conditions may distort the color |
| Purposeful distressing type | No distressing                                                               |
| Additional information      |                                                                              |

**Packaging**

|                              |              |
|------------------------------|--------------|
| Units per lot                |              |
| Cbm (m3) / Gross weight (Kg) | 0,375 / 18,3 |
| Nº of boxes                  | 1            |

|                                                |                               |
|------------------------------------------------|-------------------------------|
| Box 1                                          | 1                             |
| Description                                    | Paradigm coffee table Ø 80 cm |
| Description box                                | TOP                           |
| Height x Width x Depth (cm)                    | 49 x 88 x 87                  |
| Cbm (m3) / Gross weight (Kg) / Net weight (Kg) | 0,375 / 18,3 / 14             |

|                                                |     |
|------------------------------------------------|-----|
| Box 2                                          |     |
| Description                                    |     |
| Description box                                |     |
| Height x Width x Depth (cm)                    | x x |
| Cbm (m3) / Gross weight (Kg) / Net weight (Kg) | / / |

|                                                |     |
|------------------------------------------------|-----|
| Box 3                                          |     |
| Description                                    |     |
| Description box                                |     |
| Height x Width x Depth (cm)                    | x x |
| Cbm (m3) / Gross weight (Kg) / Net weight (Kg) | / / |

|                                                |     |
|------------------------------------------------|-----|
| Box 4                                          |     |
| Description                                    |     |
| Description box                                |     |
| Height x Width x Depth (cm)                    | x x |
| Cbm (m3) / Gross weight (Kg) / Net weight (Kg) | / / |

|                                                |     |
|------------------------------------------------|-----|
| Box 5                                          |     |
| Description                                    |     |
| Description box                                |     |
| Height x Width x Depth (cm)                    | x x |
| Cbm (m3) / Gross weight (Kg) / Net weight (Kg) | / / |