



NOA

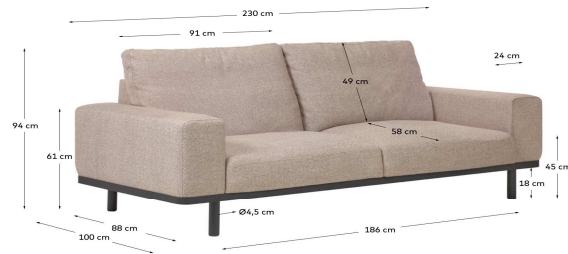
Descriptions

Product code	S707GC12
Product description	Noa beige 3-seater sofa with dark legs 230 cm The most important item in your home is eco-friendly. As well as an extra-comfy down effect, our Noa sofa has been designed with the planet in mind. The filling and entire upholstery are made from 100% recycled PET plastic recovered from the sea. Ide
Origin country	ES

Dimensions

Height x Width x Depth (cm)	94 cm	x	230 cm	x	100 cm
Product weight (kg)	49,5 Kg				
Seat height (cm)	45				
Seat width (cm)	91				
Seat depth (cm)	58				
Armrest height (cm)	61				
Armrest width (cm)	24				

Technical drawings



Features

Use (domestic/contract/office)	Domestic+
Indoor (yes/no)	Yes
Alfresco (yes/no)	No
Outdoor (yes/no)	No
Seating capacity	3
Max. load (kg)	300
Stackable (yes/no)	No
Stacks up to	
Foldable (yes/no)	No

Reclining (yes/no)	No
Sliding seat (yes/no)	No
Swivel (yes/no)	No
Fabric durability resistance (Martindale cycles)	>75.000
Water repellent (yes/no)	No
Stain resistant (yes/no)	Yes
Fire resistant (yes/no)	No
UV resistance level (1-5)	
Seat detachable (yes/no)	Yes
Seat removable cover (yes/no)	Yes
Backrest detachable (yes/no)	Yes
Backrest removable cover (yes/no)	Yes
Adjustable feet (yes/no)	No
Armrest included (yes/no)	Yes
Armrest type	Square
Armrest removable cover (yes/no)	No
Headrest included (yes/no)	No
Headrest detachable (yes/no)	N/A
Headrest removable cover (yes/no)	N/A
Cushion included (yes/no)	No
Number of cushions	
Cushion removable cover (yes/no)	N/A
Storage included (yes/no)	No
Storage capacity (l)	
Storage lifting mechanism	N/A
Footrest included (yes/no)	No
Footstool included (yes/no)	

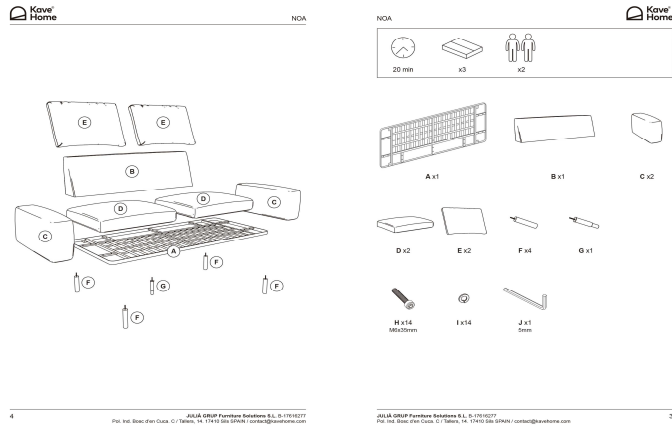
Materials

Main material	Fabric
Fabric type & specifications	Textured
Fabric composition	100% Polyester
Fabric grammage (g/m2)	580
Frame construction	Steel, Webbing, Particle board, Pine wood (Pinus pinaster)
Seat material details	Fabric, Foam, Recycled fibers, Webbing
Seat fill material	Foam, Recycled fibers
Seat foam density (kg/m3)	30
Backrest material details	Fabric, Recycled fibers
Backrest fill material	Recycled fibers
Backrest foam density (kg/m3)	
Legs material	Beech wood (Fagus Sylvatica)
Legs finishing	Varnished PU
Feet pad type	Felt pad
Armrest material details	Fabric, Foam, Pine wood (Pinus pinaster), Particle board, Acrylic fibers
Armrest density foam (kg/m3)	25
Headrest material details	N/A
Headrest density foam (kg/m3)	
Cushion fabric type	
Cushion fabric composition	
Cushion grammage (g/m2)	
Cushion fill material	
Cushion thickness (cm)	

Assembly

Unpacking time (min)	3
Assembly required (yes/no)	Yes
Difficulty of assembly	Easy
People required	2
Assembly time (min)	20
Assembly suggestions	Check and classify all fittings before starting the assembly. Assemble on a soft surface.

Assembly instructions



Care & Warranties

General warnings	Do not place near direct sources of heat. Keep away from direct solar light. Do not use abrasive products like acetones, bleaches, solvents, etc. Sharp elements can scratch the product surface.
Specific use and care instructions	Cover: Cold washing. Frame: Clean with a damp cloth and dry immediately
Specific use and care instructions for outdoor	
Years of guarantee	2
Made according to	EN 12520:2015 for household use seats
FSC certified (yes/no)	No
PEFC certified (yes/no)	Yes
FLEGT license (yes/no)	N/A
Variation type	No natural variation, Light and environment conditions may distort the color
Purposeful distressing type	No distressing
Additional information	Wood origin country: Spain

Packaging

Units per lot					
Cbm (m3) / Gross weight (Kg)	1.337	/	55		
Nº of boxes	3				
Box 1	S706M01 - 1				
Description	NOA Set of 4 wooden legs for sofa Y062 color black				
Description box	LEGS				
Height x Width x Depth (cm)	6	x	20	x	20
Cbm (m3) / Gross weight (Kg) / Net weight (Kg)	0,002	/	5,5	/	4,5
Box 2	S710GC12 - 2				
Description	NOA Y062 Sofa, 3-seat section, beige				
Description box	Asientos, brazos, respaldos y contra				
Height x Width x Depth (cm)	113	x	207	x	51
Cbm (m3) / Gross weight (Kg) / Net weight (Kg)	1.193	/	32,5	/	30
Box 3	S711R01 - 3				
Description	NOA Black metal frame, Y062 Sofa				
Description box	Estructura acero base				
Height x Width x Depth (cm)	6	x	232	x	102
Cbm (m3) / Gross weight (Kg) / Net weight (Kg)	0,142	/	17	/	15

