



NAVIS

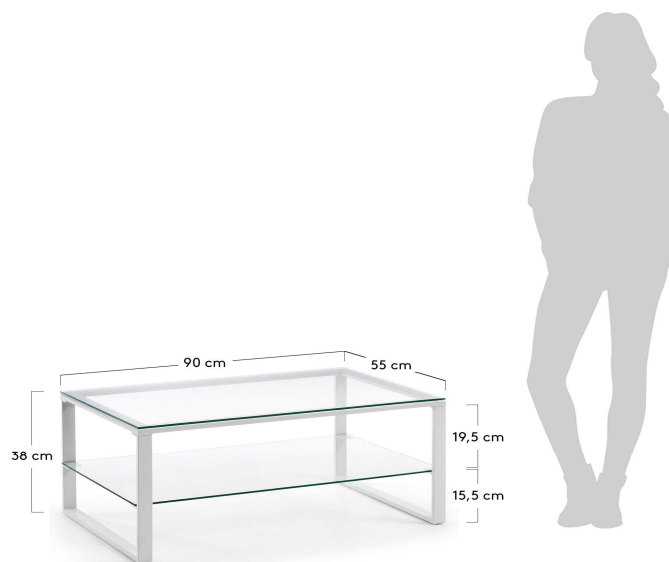
Descriptions

Product code	C348C07
Product description	NAVIS Coffee Table 55x90 white epoxy Clear Glass Coffee table with steel legs in epoxy painted. Top in clear tempered glass. Thickness of the glass 6 mm.
Origin country	CN

Dimensions

Height x Width x Depth (cm)	38 cm	x	90 cm	x	55 cm
Product weight (Kg)	18,8 Kg				

Technical drawings



Features

Use (domestic/contract/office)	Domestic
Indoor (yes/no)	Yes
Alfresco (yes/no)	No
Outdoor (yes/no)	No
Max. load (kg)	25
Adjustable height (yes/no)	No
Adjustable height mechanism description	N/A
Top tilt angle range	
Feet pad type	Plastic pad
Adjustable feet (yes/no)	No
Doors included (yes/no)	No
Number of doors	
Door opening system	N/A
Door soft-close function (yes/no)	N/A
Drawers included (yes/no)	No
Number of drawers	

Drawer opening system	N/A
Runner guide mechanism	N/A
Runner soft-close function (yes/no)	N/A
Drawers max. load (kg)	N/A
Shelves included (yes/no)	Yes
Number of shelves	1
Adjustable shelves (yes/no)	No
Shelves max. load (kg)	3
Wall brackets antitilting included (yes/no)	No

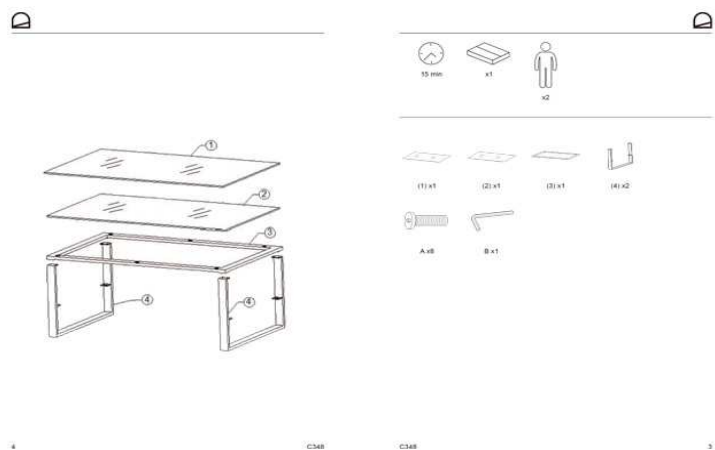
Materials

Material description	N/A
Finishing description	N/A
Back processed (yes/no)	Yes
Legs material	Steel
Legs finishing	Powder coated painted
Door material	N/A
Drawer material	N/A
Runner material of the drawers	N/A
Shelves material	Tempered glass

Assembly

Unpacking time (min)	3
Assembly required (yes/no)	Yes
Difficulty of assembly	Easy
People required	2
Assembly time (min)	15
Assembly suggestions	Assemble on a soft protecting surface.

Assembly instructions



Care & Warranties

General warnings	Do not place near direct sources of heat. Keep away from direct solar light. Do not use abrasive products like acetones, bleaches, solvents, etc. Sharp elements can scratch the product surface.
Specific use and care instructions	Clean the product with a wet cloth dampened in a mild cleaner and dry immediately. Dust it with a duster.
Specific use and care instructions for outdoor	
Years of guarantee	2
Made according to	
FSC certified (yes/no)	N/A
PEFC certified (yes/no)	N/A
FLEGT license (yes/no)	N/A

Variation type	No natural variation, Light and environment conditions may distort the color
Purposeful distressing type	No distressing
Additional information	

Packaging

Units per lot	
Cbm (m3) / Gross weight (Kg)	0,064 / 21,3
Nº of boxes	1

Box 1	1
Description	NAVIS Coffee Table 55x90 white epoxy Clear Glass
Description box	FULL ITEM
Height x Width x Depth (cm)	10,5 x 98 x 62,5
Cbm (m3) / Gross weight (Kg) / Net weight (Kg)	0,064 / 21,3 / 18,8

Box 2	
Description	
Description box	
Height x Width x Depth (cm)	x x
Cbm (m3) / Gross weight (Kg) / Net weight (Kg)	/ /

Box 3	
Description	
Description box	
Height x Width x Depth (cm)	x x
Cbm (m3) / Gross weight (Kg) / Net weight (Kg)	/ /

Box 4	
Description	
Description box	
Height x Width x Depth (cm)	x x
Cbm (m3) / Gross weight (Kg) / Net weight (Kg)	/ /

Box 5	
Description	
Description box	
Height x Width x Depth (cm)	x x
Cbm (m3) / Gross weight (Kg) / Net weight (Kg)	/ /