



HANZEL

Descriptions

Product code	CC2172M46
Product description	Hanzel extendable garden table in solid eucalyptus, 183 (240) x 100 cm FSC 100% From two to a few, the Gaby extendable table has a place for everyone at your al fresco dinner party. What's more, it's made from solid sustainable eucalyptus and the extension is stored away inside the table itself thanks to a simple butterfly mecha
Origin country	VN

Dimensions

Height x Width x Depth (cm)	75 cm	x	183 - 240 cm	x	100 cm
Product weight (Kg)	29,5 Kg				
Top thickness (mm)	2,5				
Leaf sizes					

Technical drawings



Features

Use (domestic/contract/office)	Domestic
Indoor (yes/no)	Yes
Alfresco (yes/no)	Yes
Outdoor (yes/no)	Yes
Extendible (yes/no)	Yes
Adjustable height (yes/no)	No
Foldable (yes/no)	No
Seating capacity	6
Seating capacity fully extended	8
Max. load (kg)	60
Top edge type	Flat
Scratch and wear resistance (Mohs scale)	
Hardness (Rockwell method)	

Extension mechanism type	Butterfly
Number of leaves	
Stored inside (yes/no)	N/A
Adjustable feet (yes/no)	No

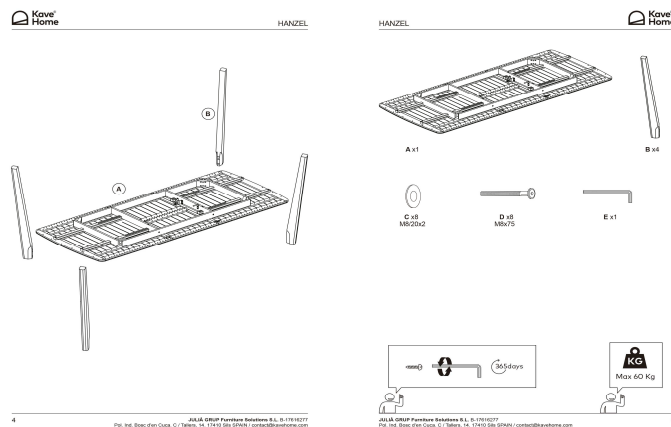
Materials

Main material	Solid wood
Top material	Eucalyptus wood (Eucalyptus camaldunensis)
Top finishing	Clear, Varnished
Leaf material	
Leaf finishing	
Legs material	Eucalyptus wood (Eucalyptus grandis)
Legs finishing	Clear, Varnished
Feet pad type	None

Assembly

Unpacking time (min)	5
Assembly required (yes/no)	Yes
Difficulty of assembly	Easy
People required	2
Assembly time (min)	20
Assembly suggestions	Check and classify all fittings before starting the assembly. Assemble on a soft surface.

Assembly instructions



Care & Warranties

General warnings	We recommend the use of tablecloth and coasters to avoid stains. Do not use abrasive products like acetones, bleaches, solvents, etc. Sharp elements can scratch the product surface.
Specific use and care instructions	Clean with a mild soapy solution and dry immediately. We strongly recommend varnishing/re-staining the furniture regularly once a year to prevent dryness, cracks and moisture absorption.
Specific use and care instructions for outdoor	Store the furniture in a dry indoor place. If you want to leave it outdoors, protect it with a waterproof cover in autumn, winter and rainy season.
Years of guarantee	2
Made according to	
FSC certified (yes/no)	Yes
PEFC certified (yes/no)	N/A
FLEGT license (yes/no)	N/A
Variation type	Light and environment conditions may distort the color perception of the
Purposeful distressing type	No distressing

Additional information	Wood origin country: Uruguay
------------------------	------------------------------

Packaging

Units per lot	
Cbm (m3) / Gross weight (Kg)	0,233 / 36
Nº of boxes	1

Box 1	1
Description	Hanzel extendable garden table in solid eucalyptus, 183 (240) x 100 cm FSC 100%
Description box	FULL ITEM
Height x Width x Depth (cm)	12 x 186 x 104,5
Cbm (m3) / Gross weight (Kg) / Net weight (Kg)	0,233 / 36 / 29,5

Box 2	
Description	
Description box	
Height x Width x Depth (cm)	x x
Cbm (m3) / Gross weight (Kg) / Net weight (Kg)	/ /

Box 3	
Description	
Description box	
Height x Width x Depth (cm)	x x
Cbm (m3) / Gross weight (Kg) / Net weight (Kg)	/ /

Box 4	
Description	
Description box	
Height x Width x Depth (cm)	x x
Cbm (m3) / Gross weight (Kg) / Net weight (Kg)	/ /