



EMILI

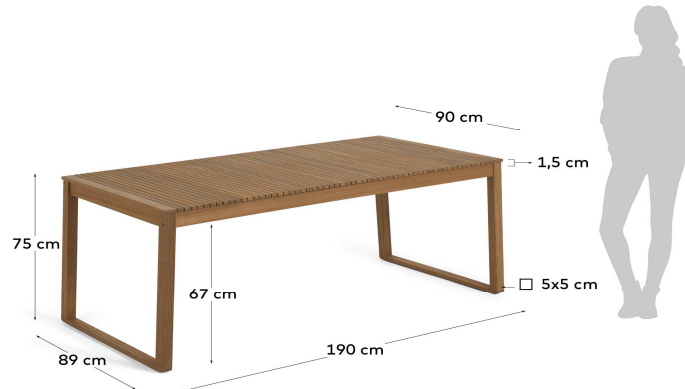
**Descriptions**

Product code	CC2174M46
Product description	Emili solid acacia garden table, 190 x 90 cm FSC 100% When it comes to outdoor furniture, natural materials are best for connecting with the world around us. The Emili table is made from 100% solid sustainable acacia wood with a teak-effect oil finish.
Origin country	VN

**Dimensions**

Height x Width x Depth (cm)	75 cm	x	190 cm	x	90 cm
Product weight (Kg)	29,5 Kg				
Top thickness (mm)	1,5				
Leaf sizes					

**Technical drawings**



**Features**

Use (domestic/contract/office)	Domestic
Indoor (yes/no)	Yes
Alfresco (yes/no)	Yes
Outdoor (yes/no)	Yes
Extendible (yes/no)	No
Adjustable height (yes/no)	No
Foldable (yes/no)	No
Seating capacity	6
Seating capacity fully extended	
Max. load (kg)	60
Top edge type	Flat
Scratch and wear resistance (Mohs scale)	
Hardness (Rockwell method)	

Extension mechanism type	
Number of leaves	
Stored inside (yes/no)	N/A
Adjustable feet (yes/no)	No

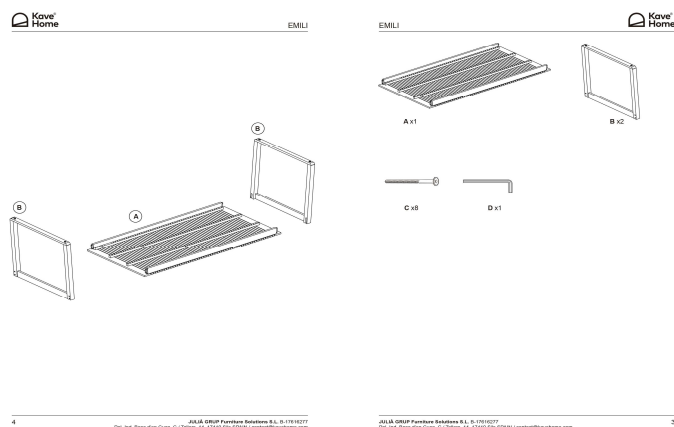
### Materials

Main material	Solid wood
Top material	Acacia wood ( <i>Acacia auriculiformis</i> )
Top finishing	Clear, Varnished
Leaf material	
Leaf finishing	
Legs material	Acacia wood ( <i>Acacia Mangium</i> )
Legs finishing	Clear, Varnished
Feet pad type	None

### Assembly

Unpacking time (min)	5
Assembly required (yes/no)	Yes
Difficulty of assembly	Easy
People required	2
Assembly time (min)	20
Assembly suggestions	Check and classify all fittings before starting the assembly. Assemble on a soft surface.

### Assembly instructions



### Care & Warranties

General warnings	We recommend the use of tablecloth and coasters to avoid stains. Do not use abrasive products like acetones, bleaches, solvents, etc. Sharp elements can scratch the product surface.
Specific use and care instructions	Clean with a mild soapy solution and dry immediately. We strongly recommend varnishing/re-staining the furniture regularly once a year to prevent dryness, cracks and moisture absorption.
Specific use and care instructions for outdoor	Store the furniture in a dry indoor place. If you want to leave it outdoors, protect it with a waterproof cover in autumn, winter and rainy season.
Years of guarantee	2
Made according to	
FSC certified (yes/no)	Yes
PEFC certified (yes/no)	N/A
FLEGT license (yes/no)	N/A
Variation type	Light and environment conditions may distort the color perception of the
Purposeful distressing type	No distressing

Additional information	Wood origin country: Vietnam
------------------------	------------------------------

**Packaging**

Units per lot	
Cbm (m3) / Gross weight (Kg)	0,193 / 34,5
Nº of boxes	1

Box 1	1
Description	Emili solid acacia garden table, 190 x 90 cm FSC 100%
Description box	FULL ITEM
Height x Width x Depth (cm)	11 x 186 x 94,5
Cbm (m3) / Gross weight (Kg) / Net weight (Kg)	0,193 / 34,5 / 29,5

Box 2	
Description	
Description box	
Height x Width x Depth (cm)	x x
Cbm (m3) / Gross weight (Kg) / Net weight (Kg)	/ /

Box 3	
Description	
Description box	
Height x Width x Depth (cm)	x x
Cbm (m3) / Gross weight (Kg) / Net weight (Kg)	/ /

Box 4	
Description	
Description box	
Height x Width x Depth (cm)	x x
Cbm (m3) / Gross weight (Kg) / Net weight (Kg)	/ /