



BURANO

Descriptions

Product code	C418C07
Product description	BURANO Table 180x90 Glass Clear Dining table with top and legs in clear tempered glass. Thickness of the glass 10 mm.
Origin country	CN

Dimensions

Height x Width x Depth (cm)	78 cm	x	180 cm	x	90 cm
Product weight (Kg)	65,7 Kg				
Top thickness (mm)	10				
Leaf sizes					

Technical drawings



Features

Use (domestic/contract/office)	Domestic+
Indoor (yes/no)	Yes
Alfresco (yes/no)	No
Outdoor (yes/no)	No
Extendible (yes/no)	No
Adjustable height (yes/no)	No
Foldable (yes/no)	No
Seating capacity	8
Seating capacity fully extended	8
Max. load (kg)	40
Top edge type	Flat
Scratch and wear resistance (Mohs scale)	
Hardness (Rockwell method)	

Extension mechanism type	N/A
Number of leaves	
Stored inside (yes/no)	N/A
Adjustable feet (yes/no)	No

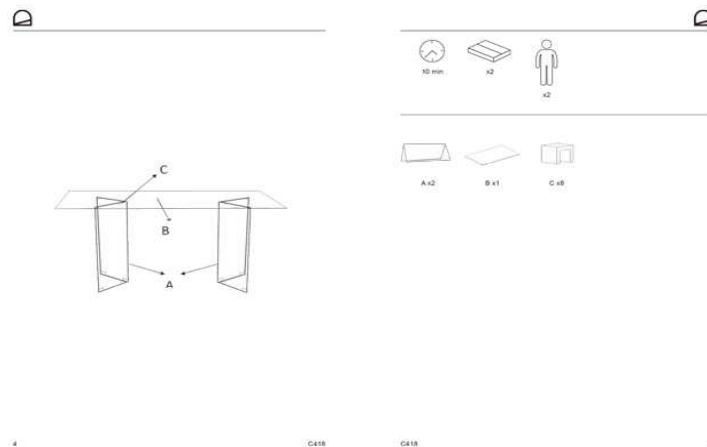
Materials

Main material	Glass
Top material	Tempered glass
Top finishing	Clear
Leaf material	N/A
Leaf finishing	N/A
Legs material	Tempered glass
Legs finishing	Clear
Feet pad type	Plastic pad

Assembly

Unpacking time (min)	15
Assembly required (yes/no)	Yes
Difficulty of assembly	Easy
People required	2
Assembly time (min)	10
Assembly suggestions	Use a screwdriver and a hammer to unpack the wooden crate packaging. Check and classify all fittings before starting the assembly. Assemble on a soft surface.

Assembly instructions



Care & Warranties

General warnings	Do not place near direct sources of heat. Keep away from direct solar light. Do not use abrasive products like acetones, bleaches, solvents, etc. Sharp elements can scratch the product surface.
Specific use and care instructions	Clean the product with a wet cloth dampened in a mild cleaner and dry immediately. Dust it with a duster.
Specific use and care instructions for outdoor	N/A
Years of guarantee	2
Made according to	EN 12521:2010 for household use tables
FSC certified (yes/no)	N/A
PEFC certified (yes/no)	N/A
FLEGT license (yes/no)	N/A
Variation type	No natural variation, Light and environment conditions may distort the color
Purposeful distressing type	No distressing

Additional information

Packaging

Units per lot					
Cbm (m3) / Gross weight (Kg)	0,23318	/	79,5		
Nº of boxes	2				
Box 1	1				
Description	BURANO Table 180x90 Glass Clear				
Description box	TOP				
Height x Width x Depth (cm)	4	x	184	x	94
Cbm (m3) / Gross weight (Kg) / Net weight (Kg)	0,069	/	47	/	40
Box 2	2				
Description	BURANO Table 180x90 Glass Clear				
Description box	LEGS				
Height x Width x Depth (cm)	45	x	81	x	45
Cbm (m3) / Gross weight (Kg) / Net weight (Kg)	0,164	/	32,5	/	25,7
Box 3					
Description					
Description box					
Height x Width x Depth (cm)		x		x	
Cbm (m3) / Gross weight (Kg) / Net weight (Kg)		/		/	
Box 4					
Description					
Description box					
Height x Width x Depth (cm)		x		x	
Cbm (m3) / Gross weight (Kg) / Net weight (Kg)		/		/	