



BEILA

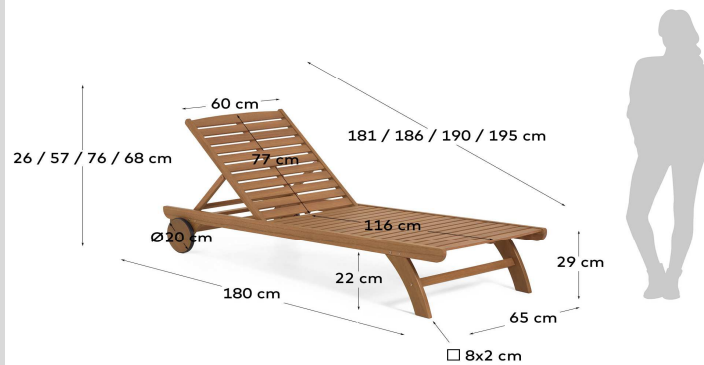
Descriptions

Product code	CC2157M46
Product description	Beila solid eucalyptus sun lounger FSC 100% Our Beila sun lounger, made from sustainably-sourced solid eucalyptus, offers made-to-measure comfort. However you choose to enjoy the outdoors, Beila adapts. The backrest has four positions and there are wheels for easy mobility.
Origin country	VN

Dimensions

Height x Width x Depth (cm)	29 / 76 c	x	65 cm	x	180 cm
Product weight (kg)	13 Kg				
Seat height (cm)	29				
Seat width (cm)	60				
Seat depth (cm)	116				
Armrest height (cm)					
Armrest width (cm)					

Technical drawings



Features

Use (domestic/contract/office)	Domestic+
Indoor (yes/no)	Yes
Alfresco (yes/no)	Yes
Outdoor (yes/no)	Yes
Seating capacity	1
Max. load (kg)	130
Stackable (yes/no)	
Stacks up to	
Foldable (yes/no)	Yes

Reclining (yes/no)	Yes
Sliding seat (yes/no)	N/A
Swivel (yes/no)	N/A
Fabric durability resistance (Martindale cycles)	
Water repellent (yes/no)	
Stain resistant (yes/no)	
Fire resistant (yes/no)	No
UV resistance level (1-5)	4
Seat detachable (yes/no)	N/A
Seat removable cover (yes/no)	N/A
Backrest detachable (yes/no)	N/A
Backrest removable cover (yes/no)	N/A
Adjustable feet (yes/no)	No
Armrest included (yes/no)	N/A
Armrest type	
Armrest removable cover (yes/no)	
Headrest included (yes/no)	N/A
Headrest detachable (yes/no)	
Headrest removable cover (yes/no)	N/A
Cushion included (yes/no)	N/A
Number of cushions	
Cushion removable cover (yes/no)	N/A
Storage included (yes/no)	N/A
Storage capacity (l)	
Storage lifting mechanism	
Footrest included (yes/no)	N/A
Footstool included (yes/no)	

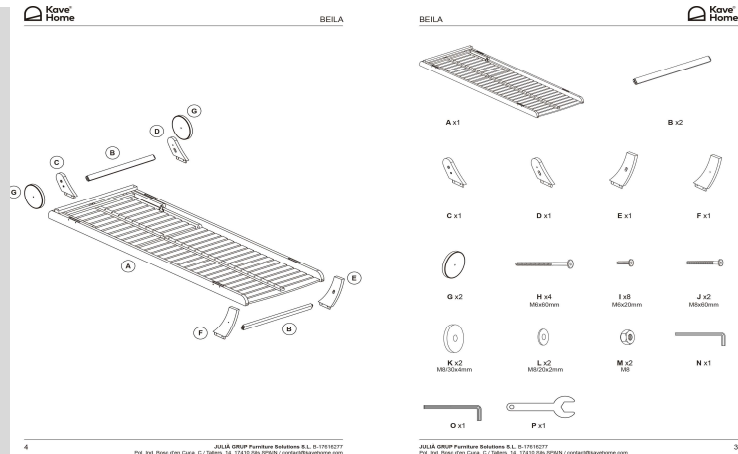
Materials

Main material	Solid wood
Fabric type & specifications	
Fabric composition	
Fabric grammage (g/m2)	
Frame construction	Eucalyptus wood (Eucalyptus grandis)
Seat material details	Eucalyptus wood (Eucalyptus grandis)
Seat fill material	
Seat foam density (kg/m3)	
Backrest material details	
Backrest fill material	
Backrest foam density (kg/m3)	
Legs material	Eucalyptus wood (Eucalyptus grandis)
Legs finishing	Clear, Varnished
Feet pad type	None
Armrest material details	
Armrest density foam (kg/m3)	
Headrest material details	
Headrest density foam (kg/m3)	
Cushion fabric type	
Cushion fabric composition	
Cushion grammage (g/m2)	
Cushion fill material	
Cushion thickness (cm)	

Assembly

Unpacking time (min)	5
Assembly required (yes/no)	Yes
Difficulty of assembly	Easy
People required	2
Assembly time (min)	25
Assembly suggestions	Check and classify all fittings before starting the assembly. Assemble on a soft surface.

Assembly instructions



Care & Warranties

General warnings	Do not use abrasive products like acetones, bleaches, solvents, etc. To extend the durability of wooden outdoor furniture please follow the specific care instructions.
Specific use and care instructions	Clean with a mild soapy solution and dry immediately. We strongly recommend varnishing/re-staining the furniture regularly once a year to prevent dryness, cracks and moisture absorption.
Specific use and care instructions for outdoor	Store the furniture in a dry indoor place. If you want to leave it outdoors, protect it with a waterproof cover in autumn, winter and rainy season.
Years of guarantee	2
Made according to	EN 581:2017 for outdoor household use seats
FSC certified (yes/no)	Yes
PEFC certified (yes/no)	N/A
FLEGT license (yes/no)	N/A
Variation type	Light and environment conditions may distort the color perception of the
Purposeful distressing type	No distressing
Additional information	Wood origin country: Uruguay

Packaging

Units per lot					
Cbm (m3) / Gross weight (Kg)	0,142	/	17		
Nº of boxes	1				
Box 1	1				
Description	Beila solid eucalyptus sun lounger FSC 100%				
Description box	FULL ITEM				
Height x Width x Depth (cm)	10,5	x	198	x	68,5
Cbm (m3) / Gross weight (Kg) / Net weight (Kg)	0,142	/	17	/	13
Box 2					
Description					
Description box					
Height x Width x Depth (cm)		x		x	
Cbm (m3) / Gross weight (Kg) / Net weight (Kg)		/		/	
Box 3					
Description					
Description box					
Height x Width x Depth (cm)		x		x	
Cbm (m3) / Gross weight (Kg) / Net weight (Kg)		/		/	

