



STAG

Descriptions

Product code	CC0379CWQ11
Product description	STAG Barstool black wood fabric tan Barstool with seat upholstered in Cowboy fabric. Lacquered wooden legs with copper finish ring.
Origin country	CN

Dimensions

Height x Width x Depth (cm)	97 cm	x	40 cm	x	40 cm
Product weight (kg)	5,5 Kg				
Seat height (cm)	75				
Seat width (cm)	36				
Seat depth (cm)	32				
Armrest height (cm)					
Armrest width (cm)					
Backrest height (cm)	22				

Technical drawings



Features

Use (domestic/contract/office)	Domestic
Indoor (yes/no)	Yes
Alfresco (yes/no)	No
Outdoor (yes/no)	No
Stackable (yes/no)	No
Stacks up to	
Max. load (kg)	130
Adjustable height (yes/no)	No
Adjustable height mechanism description	N/A

Foldable (yes/no)	No
Swivel (yes/no)	No
Reclining (yes/no)	No
Armrest included (yes/no)	No
Padded (yes/no)	Yes
Footrest included (yes/no)	Yes
Fabric durability resistance (Martindale cycles)	>35.000
Water repellent (yes/no)	No
Stain resistant (yes/no)	No
Fire resistant (yes/no)	No
UV resistance level (1-5)	
Removable chair cover (yes/no)	No
Removable cover parts description	N/A
Adjustable feet (yes/no)	No
Castors information	N/A
Cushion included (yes/no)	No
Cushion removable cover (yes/no)	N/A

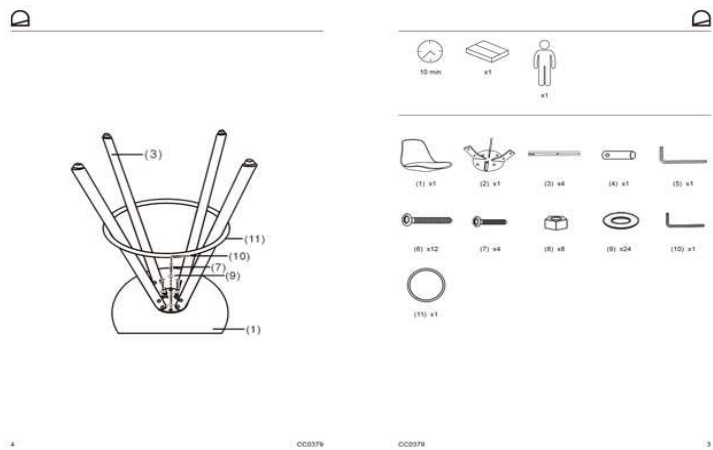
Materials

Main material	Synthetic Leather
Frame construction	Solid wood
Main finishing	Upholstered
Seat material details	Synthetic leather, Foam, Polypropylene
Backrest material details	Synthetic leather, Foam, Polypropylene
Armrest material details	N/A
Fabric type & specifications	Synthetic leather
Fabric composition	100% Polyester
Fabric grammage (g/m2)	350
Upholstery fill material	Foam
Foam density (kg/m3)	30
Legs material	Beech wood (Fagus Sylvatica), Steel
Legs finishing	Copper, Painted
Feet pad type	Plastic pad
Cushion fabric type	N/A
Cushion fabric composition	
Cushion grammage (g/m2)	
Cushion fill material	N/A
Cushion thickness (cm)	

Assembly

Unpacking time (min)	5
Assembly required (yes/no)	Yes
Difficulty of assembly	Easy
People required	1
Assembly time (min)	10
Assembly suggestions	Join the legs to the frame and then screw them to the seat. Check and classify all fittings before starting the assembly. Assemble on a soft surface.

Assembly instructions



Care & Warranties

General warnings	Do not place near direct sources of heat. Keep away from direct solar light. Do not use abrasive products like acetones, bleaches, solvents, etc. Sharp elements can scratch the product surface.
Specific use and care instructions	Dry clean only. Do not wash, bleach, tumble dry or iron it.
Specific use and care instructions for outdoor	N/A
Years of guarantee	2
Made according to	EN 12520:2015+EN1022:2018 for household use seats
FSC certified (yes/no)	No
PEFC certified (yes/no)	No
FLEGT license (yes/no)	N/A
Variation type	No natural variation
Purposeful distressing type	No distressing
Additional information	

Packaging

Units per lot	
Cbm (m3) / Gross weight (Kg)	0,032 / 6,1
Nº of boxes	2
Box 1	1
Description	STAG Barstool black wood fabric tan
Description box	SEATS & FITTINGS
Height x Width x Depth (cm)	41 x 48 x 28
Cbm (m3) / Gross weight (Kg) / Net weight (Kg)	0,028 / 4 / 3,6
Box 2	2
Description	STAG Barstool black wood fabric tan
Description box	LEGS
Height x Width x Depth (cm)	15 x 73 x 8
Cbm (m3) / Gross weight (Kg) / Net weight (Kg)	0,005 / 2,1 / 1,9
Box 3	
Description	
Description box	
Height x Width x Depth (cm)	x x
Cbm (m3) / Gross weight (Kg) / Net weight (Kg)	/ /