

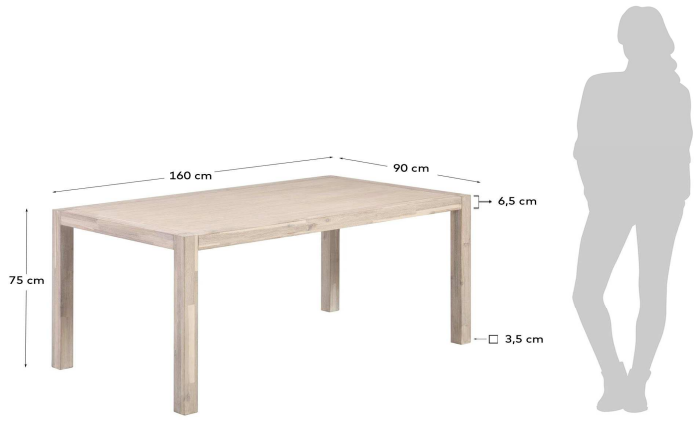
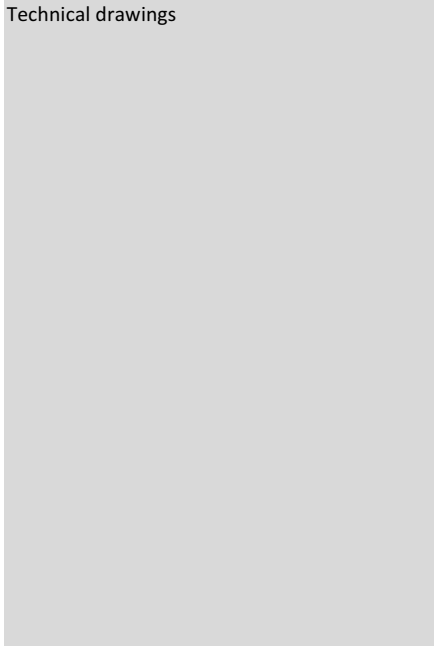


**Descriptions**

Product code	CC1960M33
Product description	ALEN Alen table 160 x 90 cm The Alen table is the perfect addition to your dining room. Thanks to the design, made with solid acacia wood with a white finish, this table will brighten up your home and make it feel more spacious.
Origin country	VN

**Dimensions**

Height x Width x Depth (cm)	75 cm	x	160 cm	x	90 cm
Product weight (Kg)	45 Kg				
Top thickness (mm)	65				
Leaf sizes					



**Features**

Use (domestic/contract/office)	Domestic
Indoor (yes/no)	Yes
Alfresco (yes/no)	No
Outdoor (yes/no)	No
Extendible (yes/no)	No
Adjustable height (yes/no)	No
Foldable (yes/no)	No
Seating capacity	8
Seating capacity fully extended	8
Max. load (kg)	100
Top edge type	Flat
Scratch and wear resistance (Mohs scale)	
Hardness (Rockwell method)	

Extension mechanism type	N/A
Number of leaves	
Stored inside (yes/no)	N/A
Adjustable feet (yes/no)	No

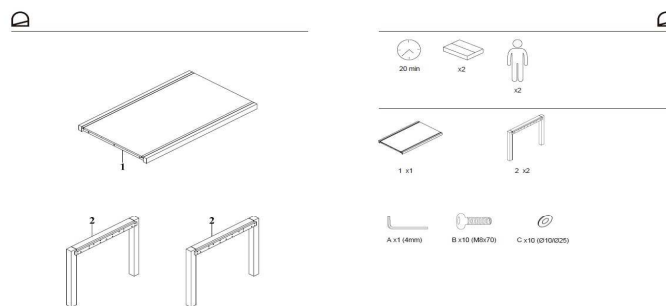
#### Materials

Main material	Solid wood
Top material	Acacia wood (Acacia auriculiformis), Acacia veneer, MDF (Medium density fibers)
Top finishing	Lacquered in NC (Nitrocellulose), Spray
Leaf material	N/A
Leaf finishing	N/A
Legs material	Acacia wood (Acacia auriculiformis)
Legs finishing	Lacquered in NC (Nitrocellulose), Spray
Feet pad type	Plastic pad

#### Assembly

Unpacking time (min)	5
Assembly required (yes/no)	Yes
Difficulty of assembly	Easy
People required	2
Assembly time (min)	20
Assembly suggestions	Put the top upside down and screw the legs. Check and classify all fittings before starting the assembly. Assemble on a soft surface.

#### Assembly instructions



#### Care & Warranties

General warnings	This product has a porous finishing treatment and it will absorb any spill on it. When using it use a waterproof tablecloth or a coaster to protect from spills, scratches and damages. Changes on temperature and humidity may vary the shape.
Specific use and care instructions	Clean the product with a wet cloth dampened in a mild cleaner and dry immediately. Dust it with a duster.
Specific use and care instructions for outdoor	N/A
Years of guarantee	2
Made according to	EN 12521:2010 for household use tables
FSC certified (yes/no)	No
PEFC certified (yes/no)	No
FLEGT license (yes/no)	Yes
Variation type	Natural wood grain and/or Colour tone, Light and environment conditions may
Purposeful distressing type	No distressing

Additional information	Wood origin country: Vietnam
------------------------	------------------------------

**Packaging**

Units per lot	
Cbm (m3) / Gross weight (Kg)	0,296 / 52
Nº of boxes	1

Box 1	1
Description	ALEN Alen table 160 x 90 cm
Description box	FULL ITEM
Height x Width x Depth (cm)	18 x 168 x 98
Cbm (m3) / Gross weight (Kg) / Net weight (Kg)	0,296 / 52 / 45

Box 2	
Description	
Description box	
Height x Width x Depth (cm)	x x
Cbm (m3) / Gross weight (Kg) / Net weight (Kg)	/ /

Box 3	
Description	
Description box	
Height x Width x Depth (cm)	x x
Cbm (m3) / Gross weight (Kg) / Net weight (Kg)	/ /

Box 4	
Description	
Description box	
Height x Width x Depth (cm)	x x
Cbm (m3) / Gross weight (Kg) / Net weight (Kg)	/ /