



LENON

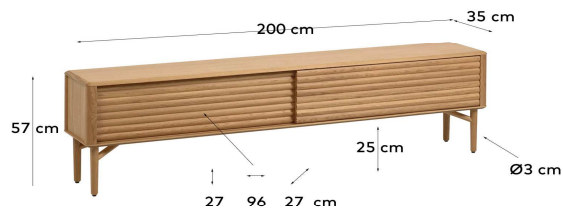
Descriptions

Product code	CC2092M40
Product description	Lenon oak TV stand 200 x 57 cm with oak veneer FSC MIX Credit Quality is in every inch of the Lenon TV stand, made in Europe from solid wood with sustainable oak veneer. This unique design has rounded edges and reliefs on the doors. The charm of wood at its finest.
Origin country	EE

Dimensions

Height x Width x Depth (cm)	57 cm	x	200 cm	x	35 cm
Product weight (Kg)	33,8 Kg				

Technical drawings



Features

Use (domestic/contract/office)	Domestic
Indoor (yes/no)	Yes
Alfresco (yes/no)	No
Outdoor (yes/no)	No
Max. load (kg)	60
Adjustable height (yes/no)	No
Adjustable height mechanism description	N/A
Top tilt angle range	
Feet pad type	Plastic pad
Adjustable feet (yes/no)	Yes
Doors included (yes/no)	Yes
Number of doors	2
Door opening system	Sliding door
Door soft-close function (yes/no)	No
Drawers included (yes/no)	No
Number of drawers	

Drawer opening system	N/A
Runner guide mechanism	N/A
Runner soft-close function (yes/no)	N/A
Drawers max. load (kg)	
Shelves included (yes/no)	No
Number of shelves	
Adjustable shelves (yes/no)	N/A
Shelves max. load (kg)	
Wall brackets antitilting included (yes/no)	No

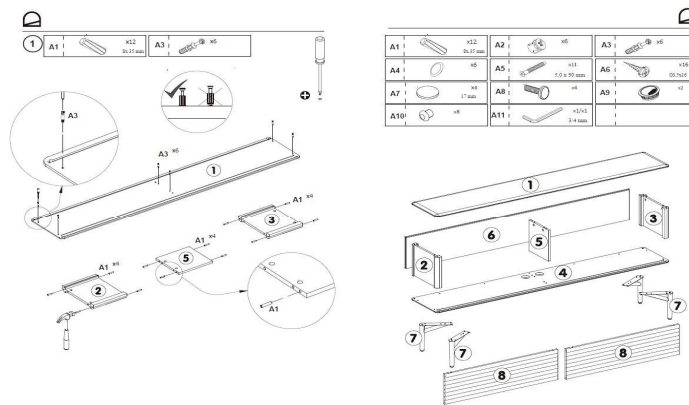
Materials

Material description	
Finishing description	
Back processed (yes/no)	Yes
Legs material	Oak wood (Quercus alba), Steel
Legs finishing	Clear, Matt, Varnished
Door material	Oak veneer (Quercus alba), Oak wood (Quercus alba), MDF (Medium density fibers)
Drawer material	N/A
Runner material of the drawers	N/A
Shelves material	

Assembly

Unpacking time (min)	5
Assembly required (yes/no)	Yes
Difficulty of assembly	Medium
People required	2
Assembly time (min)	45
Assembly suggestions	Check and classify all fittings before starting the assembly. Assemble on a soft surface.

Assembly instructions



Care & Warranties

General warnings	Do not place near direct sources of heat. Keep away from direct solar light. Do not use abrasive products like acetones, bleaches, solvents, etc. Sharp elements can scratch the product surface.
Specific use and care instructions	Clean the product with a wet cloth dampened in a mild cleaner and dry immediately. Dust it with a duster.
Specific use and care instructions for outdoor	
Years of guarantee	2
Made according to	
FSC certified (yes/no)	Yes
PEFC certified (yes/no)	No
FLEGT license (yes/no)	N/A

Variation type	Natural wood grain and/or Colour tone, Light and environment conditions may
Purposeful distressing type	No distressing
Additional information	

Packaging

Units per lot	
Cbm (m3) / Gross weight (Kg)	0,152 / 37,5
Nº of boxes	2

Box 1	1
Description	Lenon oak TV stand 200 x 57 cm with oak veneer FSC MIX Credit
Description box	2, 3, 5, 7 and fittings bag
Height x Width x Depth (cm)	18 x 57 x 54
Cbm (m3) / Gross weight (Kg) / Net weight (Kg)	0,055 / 6,5 / 5,5

Box 2	2
Description	Lenon oak TV stand 200 x 57 cm with oak veneer FSC MIX Credit
Description box	1, 4, 6, 8
Height x Width x Depth (cm)	11 x 211 x 42
Cbm (m3) / Gross weight (Kg) / Net weight (Kg)	0,097 / 31 / 28,3

Box 3	
Description	
Description box	
Height x Width x Depth (cm)	x x
Cbm (m3) / Gross weight (Kg) / Net weight (Kg)	/ /

Box 4	
Description	
Description box	
Height x Width x Depth (cm)	x x
Cbm (m3) / Gross weight (Kg) / Net weight (Kg)	/ /

Box 5	
Description	
Description box	
Height x Width x Depth (cm)	x x
Cbm (m3) / Gross weight (Kg) / Net weight (Kg)	/ /