



STAG

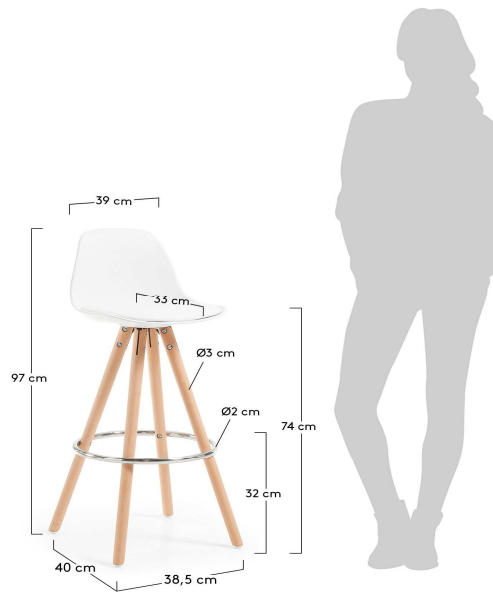
Descriptions

| | |
|---------------------|---|
| Product code | C769U05 |
| Product description | STAG Barstool wood plastic white pu white This Slad stool, with a white polypropylene seat and tripod-shaped natural beech wood legs, has the best finishes. On the one hand, its back has a slightly curved shape for greater comfort, and also has a padded seat. On the other hand, it has a meta |
| Origin country | CN |

Dimensions

| | | | | | |
|-----------------------------|-------|---|---------|---|-------|
| Height x Width x Depth (cm) | 97 cm | x | 38,5 cm | x | 40 cm |
| Product weight (kg) | 5 Kg | | | | |
| Seat height (cm) | 74 | | | | |
| Seat width (cm) | 38 | | | | |
| Seat depth (cm) | 33 | | | | |
| Armrest height (cm) | | | | | |
| Armrest width (cm) | | | | | |
| Backrest height (cm) | 22 | | | | |

Technical drawings



Features

| | |
|---|----------|
| Use (domestic/contract/office) | Domestic |
| Indoor (yes/no) | Yes |
| Alfresco (yes/no) | No |
| Outdoor (yes/no) | No |
| Stackable (yes/no) | No |
| Stacks up to | |
| Max. load (kg) | 130 |
| Adjustable height (yes/no) | No |
| Adjustable height mechanism description | N/A |

| | |
|--|---------|
| Foldable (yes/no) | No |
| Swivel (yes/no) | No |
| Reclining (yes/no) | No |
| Armrest included (yes/no) | No |
| Padded (yes/no) | Yes |
| Footrest included (yes/no) | Yes |
| Fabric durability resistance (Martindale cycles) | >50.000 |
| Water repellent (yes/no) | No |
| Stain resistant (yes/no) | No |
| Fire resistant (yes/no) | No |
| UV resistance level (1-5) | |
| Removable chair cover (yes/no) | No |
| Removable cover parts description | N/A |
| Adjustable feet (yes/no) | No |
| Castors information | N/A |
| Cushion included (yes/no) | No |
| Cushion removable cover (yes/no) | N/A |

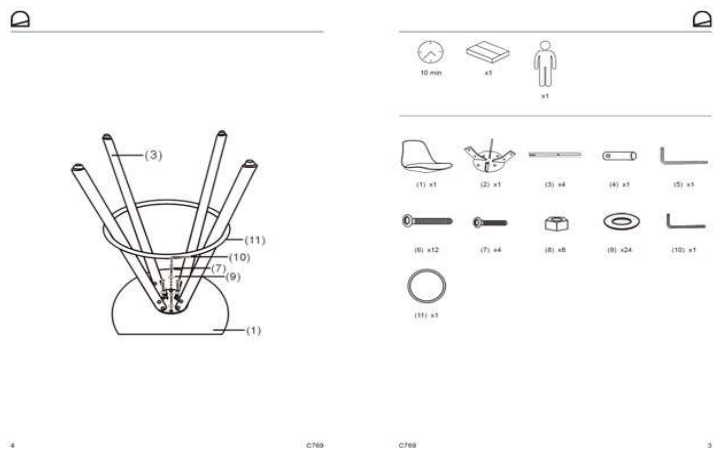
Materials

| | |
|------------------------------|--|
| Main material | Plastic |
| Frame construction | Solid wood |
| Main finishing | Upholstered |
| Seat material details | Synthetic leather, Foam, Polypropylene |
| Backrest material details | Polypropylene |
| Armrest material details | N/A |
| Fabric type & specifications | Synthetic leather |
| Fabric composition | 78% PU (Polyurethane), 22% Polyester |
| Fabric grammage (g/m2) | 490 |
| Upholstery fill material | Foam |
| Foam density (kg/m3) | 30 |
| Legs material | Beech wood (Fagus Sylvatica), Steel |
| Legs finishing | Chromed, Clear, Lacquered, Natural |
| Feet pad type | Plastic pad |
| Cushion fabric type | N/A |
| Cushion fabric composition | |
| Cushion grammage (g/m2) | |
| Cushion fill material | N/A |
| Cushion thickness (cm) | |

Assembly

| | |
|----------------------------|---|
| Unpacking time (min) | 5 |
| Assembly required (yes/no) | Yes |
| Difficulty of assembly | Easy |
| People required | 1 |
| Assembly time (min) | 10 |
| Assembly suggestions | Join the legs to the frame and then screw them to the seat. Check and classify all fittings before starting the assembly. Assemble on a soft surface. |

Assembly instructions



Care & Warranties

| | |
|--|---|
| General warnings | Do not place near direct sources of heat. Keep away from direct solar light. Do not use abrasive products like acetones, bleaches, solvents, etc. Sharp elements can scratch the product surface. |
| Specific use and care instructions | Clean the product with a wet cloth dampened in a mild cleaner and dry immediately. Dust it with a duster. |
| Specific use and care instructions for outdoor | N/A |
| Years of guarantee | 2 |
| Made according to | EN 12520:2015+EN1022:2018 for household use seats |
| FSC certified (yes/no) | No |
| PEFC certified (yes/no) | No |
| FLEGT license (yes/no) | N/A |
| Variation type | Natural wood grain and/or Colour tone, Light and environment conditions may |
| Purposeful distressing type | No distressing |
| Additional information | Wood origin country: Denmark. PVC feet protection, Ø1 cm |

Packaging

| | |
|--|---|
| Units per lot | |
| Cbm (m3) / Gross weight (Kg) | 0,033 / 5,7 |
| Nº of boxes | 2 |
| Box 1 | 1 |
| Description | STAG Barstool wood plastic white pu white |
| Description box | SEATS & FITTINGS |
| Height x Width x Depth (cm) | 41 x 48 x 28 |
| Cbm (m3) / Gross weight (Kg) / Net weight (Kg) | 0,028 / 3,85 / 3,4 |
| Box 2 | 2 |
| Description | STAG Barstool wood plastic white pu white |
| Description box | LEGS |
| Height x Width x Depth (cm) | 17 x 73 x 9 |
| Cbm (m3) / Gross weight (Kg) / Net weight (Kg) | 0,006 / 1,85 / 1,6 |
| Box 3 | |
| Description | |
| Description box | |
| Height x Width x Depth (cm) | x x |
| Cbm (m3) / Gross weight (Kg) / Net weight (Kg) | / / |