



ORLANDO-T

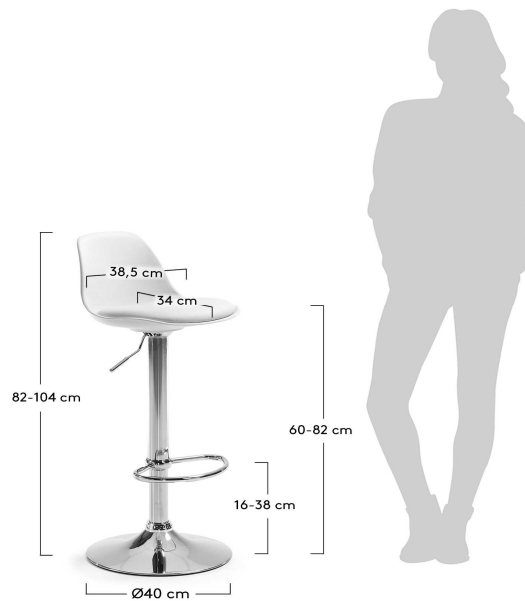
Descriptions

Product code	C060U05
Product description	Orlando-T barstool white height 60-82 cm Barstool with backrest in black polypropylene and chromed leg. With swivel and lifting mechanism.
Origin country	CN

Dimensions

Height x Width x Depth (cm)	82 - 104	x	38,5 cm	x	40 cm
Product weight (kg)	6,6 Kg				
Seat height (cm)	60 - 80,5				
Seat width (cm)	38				
Seat depth (cm)	34				
Armrest height (cm)					
Armrest width (cm)					
Backrest height (cm)	22				

Technical drawings



Features

Use (domestic/contract/office)	Domestic+
Indoor (yes/no)	Yes
Alfresco (yes/no)	No
Outdoor (yes/no)	No
Stackable (yes/no)	No
Stacks up to	
Max. load (kg)	130
Adjustable height (yes/no)	Yes
Adjustable height mechanism description	Gas lift

Foldable (yes/no)	No
Swivel (yes/no)	Yes
Reclining (yes/no)	No
Armrest included (yes/no)	No
Padded (yes/no)	Yes
Footrest included (yes/no)	Yes
Fabric durability resistance (Martindale cycles)	>50.000
Water repellent (yes/no)	No
Stain resistant (yes/no)	No
Fire resistant (yes/no)	No
UV resistance level (1-5)	
Removable chair cover (yes/no)	No
Removable cover parts description	N/A
Adjustable feet (yes/no)	No
Castors information	N/A
Cushion included (yes/no)	No
Cushion removable cover (yes/no)	N/A

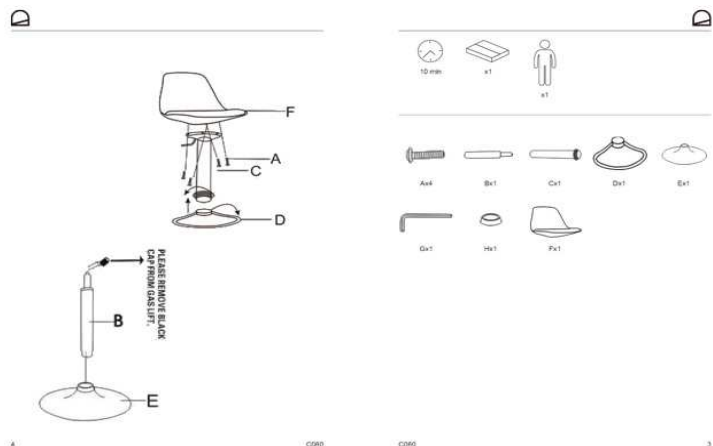
Materials

Main material	Synthetic Leather
Frame construction	Steel
Main finishing	Upholstered
Seat material details	Synthetic leather, Foam, Polypropylene
Backrest material details	Polypropylene
Armrest material details	N/A
Fabric type & specifications	Synthetic leather
Fabric composition	78% PU (Polyurethane), 22% Polyester
Fabric grammage (g/m2)	350
Upholstery fill material	Foam
Foam density (kg/m3)	24
Legs material	Steel
Legs finishing	Chromed
Feet pad type	Plastic pad
Cushion fabric type	N/A
Cushion fabric composition	
Cushion grammage (g/m2)	
Cushion fill material	N/A
Cushion thickness (cm)	

Assembly

Unpacking time (min)	5
Assembly required (yes/no)	Yes
Difficulty of assembly	Easy
People required	1
Assembly time (min)	10
Assembly suggestions	Remove the plastic cap before assembling. Check and classify all fittings before starting the assembly. Assemble on a soft surface.

Assembly instructions



Care & Warranties

General warnings	Do not place near direct sources of heat. Keep away from direct solar light. Do not use abrasive products like acetones, bleaches, solvents, etc. Sharp elements can scratch the product surface.
Specific use and care instructions	Clean the product with a wet cloth dampened in a mild cleaner and dry immediately. Dust it with a duster.
Specific use and care instructions for outdoor	N/A
Years of guarantee	2
Made according to	EN 12520:2015+EN1022:2018 for household use seats
FSC certified (yes/no)	N/A
PEFC certified (yes/no)	N/A
FLEGT license (yes/no)	N/A
Variation type	No natural variation, Light and environment conditions may distort the color
Purposeful distressing type	No distressing
Additional information	

Packaging

Units per lot	
Cbm (m3) / Gross weight (Kg)	0,039 / 7,1
Nº of boxes	1
Box 1	1
Description	Orlando-T barstool white height 60-82 cm
Description box	FULL ITEM
Height x Width x Depth (cm)	44 x 49 x 36
Cbm (m3) / Gross weight (Kg) / Net weight (Kg)	0,039 / 7,1 / 6,6
Box 2	
Description	
Description box	
Height x Width x Depth (cm)	x x
Cbm (m3) / Gross weight (Kg) / Net weight (Kg)	/ /
Box 3	
Description	
Description box	
Height x Width x Depth (cm)	x x
Cbm (m3) / Gross weight (Kg) / Net weight (Kg)	/ /