



LYDIA

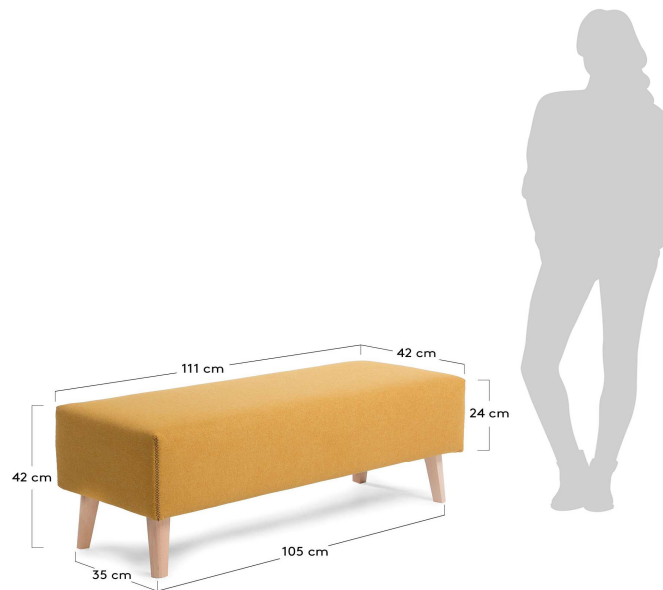
Descriptions

Product code	CC0467VA81
Product description	LYDIA Bench fabric mustard Bench upholstered with fabric Varese anti-stain Teflon treatment. Removable. Natural beech wood legs.
Origin country	ES

Dimensions

Height x Width x Depth (cm)	42 cm	x	111 cm	x	42 cm
Product weight (kg)	13,4 Kg				
Seat height (cm)	42				
Seat width (cm)	111				
Seat depth (cm)	42				
Armrest height (cm)					
Armrest width (cm)					
Backrest height (cm)					

Technical drawings



Features

Use (domestic/contract/office)	Domestic+
Indoor (yes/no)	Yes
Alfresco (yes/no)	No
Outdoor (yes/no)	No
Stackable (yes/no)	No
Stacks up to	
Max. load (kg)	180
Adjustable height (yes/no)	No
Adjustable height mechanism description	N/A

Foldable (yes/no)	No
Swivel (yes/no)	No
Reclining (yes/no)	No
Armrest included (yes/no)	No
Padded (yes/no)	Yes
Footrest included (yes/no)	No
Fabric durability resistance (Martindale cycles)	>20.000
Water repellent (yes/no)	No
Stain resistant (yes/no)	Yes
Fire resistant (yes/no)	No
UV resistance level (1-5)	
Removable chair cover (yes/no)	Yes
Removable cover parts description	Seat
Adjustable feet (yes/no)	No
Castors information	N/A
Cushion included (yes/no)	No
Cushion removable cover (yes/no)	N/A

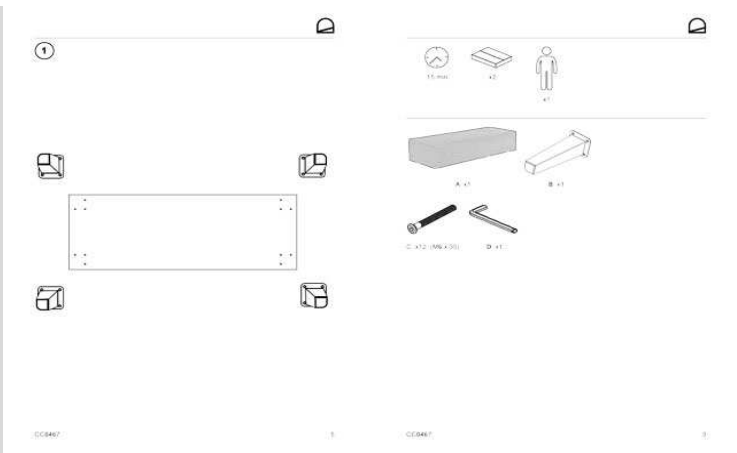
Materials

Main material	Fabric
Frame construction	Solid wood
Main finishing	Upholstered
Seat material details	Fabric, Foam, Particle board, Pine wood (Pinus pinaster)
Backrest material details	N/A
Armrest material details	N/A
Fabric type & specifications	Microfiber
Fabric composition	100% Polyester
Fabric grammage (g/m2)	400
Upholstery fill material	Foam
Foam density (kg/m3)	25
Legs material	Beech wood (Fagus Sylvatica), Steel
Legs finishing	Clear, Lacquered, Painted
Feet pad type	Felt pad
Cushion fabric type	N/A
Cushion fabric composition	
Cushion grammage (g/m2)	
Cushion fill material	N/A
Cushion thickness (cm)	

Assembly

Unpacking time (min)	5
Assembly required (yes/no)	Yes
Difficulty of assembly	Easy
People required	1
Assembly time (min)	15
Assembly suggestions	Turn the seat upside down and tighten the screws. Check and classify all fittings before starting the assembly. Assemble on a soft surface.

Assembly instructions



Care & Warranties

General warnings	Do not place near direct sources of heat. Keep away from direct solar light. Do not use abrasive products like acetones, bleaches, solvents, etc. Sharp elements can scratch the product surface.
Specific use and care instructions	Cold washing (below 30°C). Can also be professionally cleaned with any solvent except trichloroethylene. Do not tumble-dry or bleach.
Specific use and care instructions for outdoor	N/A
Years of guarantee	2
Made according to	EN 12520:2015 for household use seats
FSC certified (yes/no)	No
PEFC certified (yes/no)	
FLEGT license (yes/no)	
Variation type	Natural wood grain and/or Colour tone, Light and environment conditions may
Purposeful distressing type	No distressing
Additional information	Wood origin country: Spain. Anti-stain treatment (Teflon)

Packaging

Units per lot	
Cbm (m3) / Gross weight (Kg)	0,138 / 15,5
Nº of boxes	2
Box 1	CC0460 - 1
Description	LYDIA Bench without cover, natural leg
Description box	FRAME
Height x Width x Depth (cm)	27 x 113 x 42
Cbm (m3) / Gross weight (Kg) / Net weight (Kg)	0,128 / 15 / 13
Box 2	CC0468VA81 - 2
Description	LYDIA Bench cover fabric mustard
Description box	COVER
Height x Width x Depth (cm)	2 x 50 x 50
Cbm (m3) / Gross weight (Kg) / Net weight (Kg)	0,010 / 0,5 / 0,4
Box 3	
Description	
Description box	
Height x Width x Depth (cm)	x x
Cbm (m3) / Gross weight (Kg) / Net weight (Kg)	/ /