



TAIANA

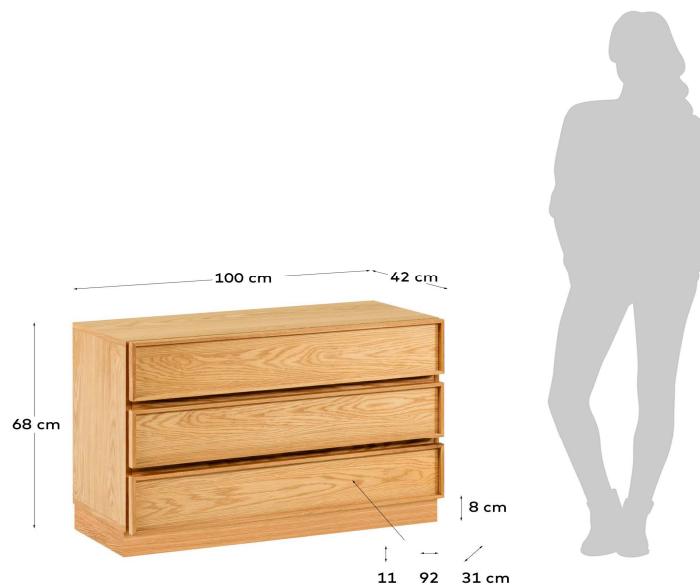
Descriptions

Product code	RKT001M40
Product description	Taiana chest of drawers 100 x 68 cm Chest of drawers from the Taiana collection, designed by Jordi Díaz, member of the Kave Home's in house design team. Made with veneered oak wood and thought to be the key storage piece of your home.
Origin country	VN

Dimensions

Height x Width x Depth (cm)	68 cm	x	100 cm	x	42 cm
Product weight (Kg)	47,1 Kg				

Technical drawings



Features

Use (domestic/contract/office)	Domestic
Indoor (yes/no)	Yes
Alfresco (yes/no)	No
Outdoor (yes/no)	No
Max. load (kg)	120
Adjustable height (yes/no)	
Adjustable height mechanism description	
Top tilt angle range	
Feet pad type	Felt pad
Adjustable feet (yes/no)	Yes
Doors included (yes/no)	No
Number of doors	
Door opening system	N/A
Door soft-close function (yes/no)	N/A
Drawers included (yes/no)	Yes
Number of drawers	3

Drawer opening system	Standard pull opening
Runner guide mechanism	Soft-closing undermount slides
Runner soft-close function (yes/no)	Yes
Drawers max. load (kg)	20
Shelves included (yes/no)	No
Number of shelves	
Adjustable shelves (yes/no)	N/A
Shelves max. load (kg)	
Wall brackets antitilting included (yes/no)	Yes

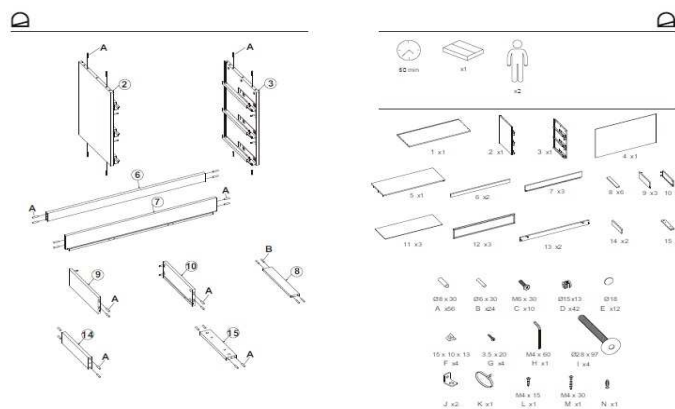
Materials

Material description	
Finishing description	
Back processed (yes/no)	Yes
Legs material	Oak veneer (Quercus alba), MDF (Medium density fibers), Steel
Legs finishing	Clear, Lacquered
Door material	N/A
Drawer material	Oak veneer (Quercus alba), MDF (Medium density fibers)
Runner material of the drawers	Steel
Shelves material	

Assembly

Unpacking time (min)	5
Assembly required (yes/no)	Yes
Difficulty of assembly	Medium
People required	2
Assembly time (min)	60
Assembly suggestions	Check and classify all fittings before starting the assembly. Assemble on a soft surface.

Assembly instructions



Care & Warranties

General warnings	Do not place near direct sources of heat. Keep away from direct solar light. Do not use abrasive products like acetones, bleaches, solvents, etc. Sharp elements can scratch the product surface.
Specific use and care instructions	Clean with a damp cloth in a mild cleaner and dry immediately.
Specific use and care instructions for outdoor	N/A
Years of guarantee	2
Made according to	
FSC certified (yes/no)	N/A
PEFC certified (yes/no)	N/A
FLEGT license (yes/no)	N/A

Variation type	Natural wood grain and/or Colour tone, Light and environment conditions may
Purposeful distressing type	No distressing
Additional information	

Packaging

Units per lot	
Cbm (m3) / Gross weight (Kg)	0,263 / 52
Nº of boxes	1

Box 1	1
Description	Taiana chest of drawers 100 x 68 cm
Description box	FULL ITEM
Height x Width x Depth (cm)	34 x 112 x 69
Cbm (m3) / Gross weight (Kg) / Net weight (Kg)	0,263 / 52 / 47,1

Box 2	
Description	
Description box	
Height x Width x Depth (cm)	x x
Cbm (m3) / Gross weight (Kg) / Net weight (Kg)	/ /

Box 3	
Description	
Description box	
Height x Width x Depth (cm)	x x
Cbm (m3) / Gross weight (Kg) / Net weight (Kg)	/ /

Box 4	
Description	
Description box	
Height x Width x Depth (cm)	x x
Cbm (m3) / Gross weight (Kg) / Net weight (Kg)	/ /

Box 5	
Description	
Description box	
Height x Width x Depth (cm)	x x
Cbm (m3) / Gross weight (Kg) / Net weight (Kg)	/ /