



# SHANTAY

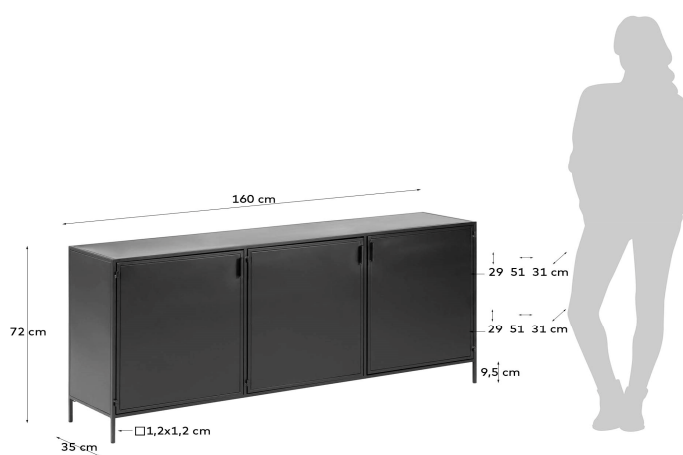
## Descriptions

Product code	CC1910R01
Product description	Shantay sideboard 160 x 72 cm This sideboard has been designed by Xavier Corcoy, from the Kave Home designer's team, for the Shantay collection. Ideal for the industrial trend lovers that are short on space. Bet on black painted steel to decorate your home, and you'll win. Being
Origin country	CN

## Dimensions

Height x Width x Depth (cm)	72 cm	x	160 cm	x	35 cm
Product weight (Kg)	45,3 Kg				

## Technical drawings



## Features

Use (domestic/contract/office)	Domestic
Indoor (yes/no)	Yes
Alfresco (yes/no)	No
Outdoor (yes/no)	No
Max. load (kg)	50
Adjustable height (yes/no)	No
Adjustable height mechanism description	N/A
Top tilt angle range	
Feet pad type	Plastic pad
Adjustable feet (yes/no)	Yes
Doors included (yes/no)	Yes
Number of doors	3
Door opening system	Magnet lock
Door soft-close function (yes/no)	No
Drawers included (yes/no)	No
Number of drawers	0

Drawer opening system	N/A
Runner guide mechanism	N/A
Runner soft-close function (yes/no)	N/A
Drawers max. load (kg)	N/A
Shelves included (yes/no)	Yes
Number of shelves	3
Adjustable shelves (yes/no)	No
Shelves max. load (kg)	20
Wall brackets antitilting included (yes/no)	Yes

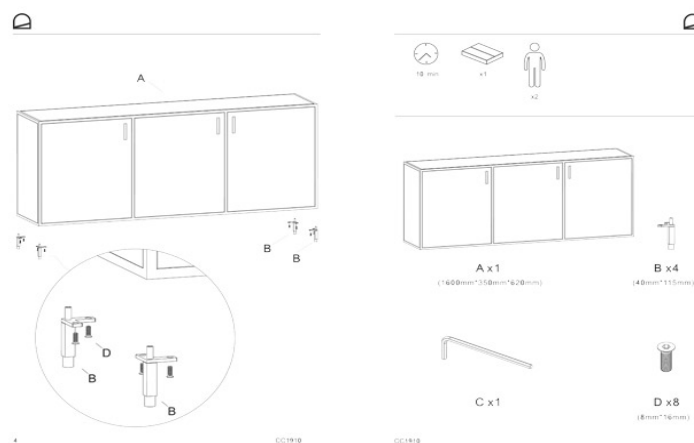
**Materials**

Material description	
Finishing description	N/A
Back processed (yes/no)	No
Legs material	Steel
Legs finishing	Powder coated painted, Matt
Door material	Iron
Drawer material	
Runner material of the drawers	N/A
Shelves material	Iron

**Assembly**

Unpacking time (min)	3
Assembly required (yes/no)	No
Difficulty of assembly	Easy
People required	2
Assembly time (min)	10
Assembly suggestions	Only the legs have to be assembled. Check and classify all fittings before starting the assembly. Assemble on a soft surface.

**Assembly instructions**



**Care & Warranties**

General warnings	Do not place near direct sources of heat. Keep away from direct solar light. Do not use abrasive products like acetones, bleaches, solvents, etc. Sharp elements can scratch the product surface.
Specific use and care instructions	Clean the product with a wet cloth dampened in a mild cleaner and dry immediately. Dust it with a duster.
Specific use and care instructions for outdoor	
Years of guarantee	2
Made according to	
FSC certified (yes/no)	N/A
PEFC certified (yes/no)	N/A
FLEGT license (yes/no)	N/A

Variation type	No natural variation, Light and environment conditions may distort the color
Purposeful distressing type	No distressing
Additional information	Anti-tilt fittings included

**Packaging**

Units per lot	
Cbm (m3) / Gross weight (Kg)	0,504 / 50,7
Nº of boxes	1

Box 1	1
Description	Shantay sideboard 160 x 72 cm
Description box	CARTON 1
Height x Width x Depth (cm)	69 x 170 x 43
Cbm (m3) / Gross weight (Kg) / Net weight (Kg)	0,504 / 50,7 / 45,3

Box 2	
Description	
Description box	
Height x Width x Depth (cm)	x x
Cbm (m3) / Gross weight (Kg) / Net weight (Kg)	/ /

Box 3	
Description	
Description box	
Height x Width x Depth (cm)	x x
Cbm (m3) / Gross weight (Kg) / Net weight (Kg)	/ /

Box 4	
Description	
Description box	
Height x Width x Depth (cm)	x x
Cbm (m3) / Gross weight (Kg) / Net weight (Kg)	/ /

Box 5	
Description	
Description box	
Height x Width x Depth (cm)	x x
Cbm (m3) / Gross weight (Kg) / Net weight (Kg)	/ /