



# NADYRIA

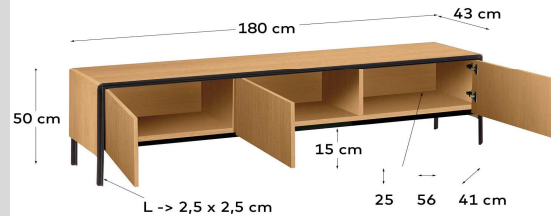
## Descriptions

Product code	CC1720M40
Product description	Nadyria oak wood TV Stand 180 x 50 cm Nadyria TV stand, designed in house by Federico Bergamino. An exclusive piece with trendy details, like its visible structure. The rest of the design is up to you: are you an oak or walnut wood fan?
Origin country	VN

## Dimensions

Height x Width x Depth (cm)	50 cm	x	180 cm	x	43 cm
Product weight (Kg)	50,2 Kg				

## Technical drawings



## Features

Use (domestic/contract/office)	Domestic
Indoor (yes/no)	Yes
Alfresco (yes/no)	No
Outdoor (yes/no)	No
Max. load (kg)	80
Adjustable height (yes/no)	No
Adjustable height mechanism description	
Top tilt angle range	
Feet pad type	Plastic pad
Adjustable feet (yes/no)	No
Doors included (yes/no)	Yes
Number of doors	3
Door opening system	Push opening
Door soft-close function (yes/no)	No
Drawers included (yes/no)	No
Number of drawers	

Drawer opening system	
Runner guide mechanism	
Runner soft-close function (yes/no)	N/A
Drawers max. load (kg)	
Shelves included (yes/no)	No
Number of shelves	
Adjustable shelves (yes/no)	N/A
Shelves max. load (kg)	
Wall brackets antitilting included (yes/no)	No

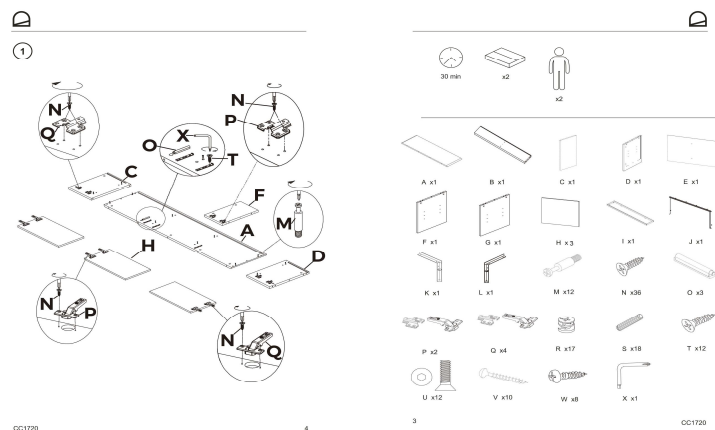
**Materials**

Material description	
Finishing description	
Back processed (yes/no)	Yes
Legs material	Steel
Legs finishing	Powder coated painted
Door material	Oak veneer (Quercus alba), MDF (Medium density fibers)
Drawer material	
Runner material of the drawers	
Shelves material	

**Assembly**

Unpacking time (min)	3
Assembly required (yes/no)	Yes
Difficulty of assembly	Medium
People required	2
Assembly time (min)	30
Assembly suggestions	Check and classify all fittings before starting the assembly. Assemble on a soft surface.

**Assembly instructions**



**Care & Warranties**

General warnings	Do not place near direct sources of heat. Keep away from direct solar light. Do not use abrasive products like acetones, bleaches, solvents, etc. Sharp elements can scratch the product surface.
Specific use and care instructions	Clean the product with a wet cloth dampened in a mild cleaner and dry immediately. Dust it with a duster.
Specific use and care instructions for outdoor	N/A
Years of guarantee	2
Made according to	
FSC certified (yes/no)	No
PEFC certified (yes/no)	No
FLEGT license (yes/no)	N/A

Variation type	Natural wood grain and/or Colour tone, Light and environment conditions may
Purposeful distressing type	No distressing
Additional information	

**Packaging**

Units per lot	
Cbm (m3) / Gross weight (Kg)	0,326 / 57,6
Nº of boxes	2

Box 1	1
Description	Nadyria oak wood TV Stand 180 x 50 cm
Description box	WOOD PARTS
Height x Width x Depth (cm)	21 x 190 x 50
Cbm (m3) / Gross weight (Kg) / Net weight (Kg)	0,200 / 43,7 / 39,7

Box 2	2
Description	Nadyria oak wood TV Stand 180 x 50 cm
Description box	LEGS AND FITTINGS
Height x Width x Depth (cm)	14 x 180 x 50
Cbm (m3) / Gross weight (Kg) / Net weight (Kg)	0,126 / 13,9 / 10,5

Box 3	
Description	
Description box	
Height x Width x Depth (cm)	x x
Cbm (m3) / Gross weight (Kg) / Net weight (Kg)	/ /

Box 4	
Description	
Description box	
Height x Width x Depth (cm)	x x
Cbm (m3) / Gross weight (Kg) / Net weight (Kg)	/ /

Box 5	
Description	
Description box	
Height x Width x Depth (cm)	x x
Cbm (m3) / Gross weight (Kg) / Net weight (Kg)	/ /