



# KAMELIA

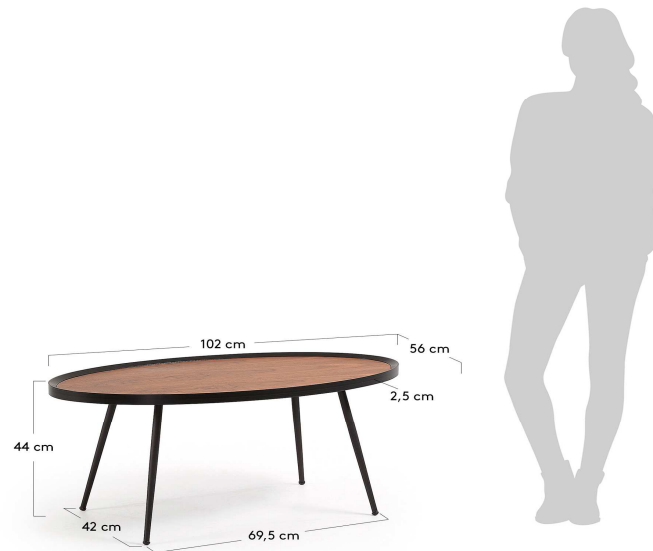
## Descriptions

Product code	CC0851R01
Product description	KAMELIA Coffee table of walnut veneer and metal Coffee table with top of walnut veneer and metal legs.
Origin country	TW

## Dimensions

Height x Width x Depth (cm)	43 cm	x	102 cm	x	56 cm
Product weight (Kg)	8,5 Kg				

## Technical drawings



## Features

Use (domestic/contract/office)	Domestic
Indoor (yes/no)	Yes
Alfresco (yes/no)	No
Outdoor (yes/no)	No
Max. load (kg)	20
Adjustable height (yes/no)	No
Adjustable height mechanism description	N/A
Top tilt angle range	
Feet pad type	Plastic pad
Adjustable feet (yes/no)	Yes
Doors included (yes/no)	No
Number of doors	
Door opening system	N/A
Door soft-close function (yes/no)	N/A
Drawers included (yes/no)	No
Number of drawers	

Drawer opening system	N/A
Runner guide mechanism	N/A
Runner soft-close function (yes/no)	N/A
Drawers max. load (kg)	N/A
Shelves included (yes/no)	No
Number of shelves	
Adjustable shelves (yes/no)	N/A
Shelves max. load (kg)	
Wall brackets antitilting included (yes/no)	No

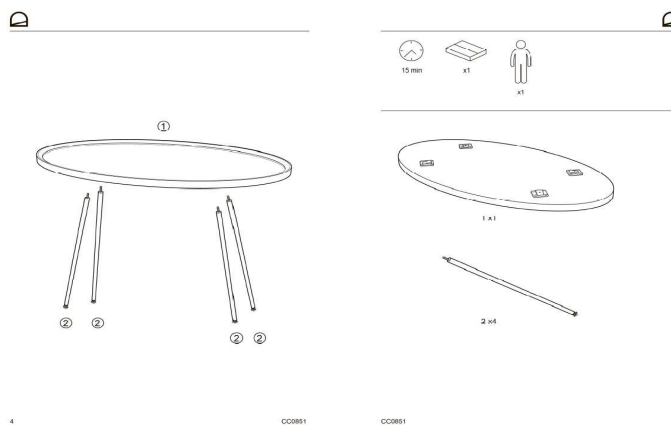
**Materials**

Material description	
Finishing description	N/A
Back processed (yes/no)	Yes
Legs material	Steel
Legs finishing	Powder coated painted
Door material	N/A
Drawer material	N/A
Runner material of the drawers	N/A
Shelves material	N/A

**Assembly**

Unpacking time (min)	3
Assembly required (yes/no)	Yes
Difficulty of assembly	Easy
People required	1
Assembly time (min)	10
Assembly suggestions	Assemble on a soft protecting surface.

**Assembly instructions**



**Care & Warranties**

General warnings	Do not place near direct sources of heat. Keep away from direct solar light. Do not use abrasive products like acetones, bleaches, solvents, etc. Sharp elements can scratch the product surface.
Specific use and care instructions	Clean the product with a wet cloth dampened in a mild cleaner and dry immediately. Dust it with a duster.
Specific use and care instructions for outdoor	
Years of guarantee	2
Made according to	
FSC certified (yes/no)	No
PEFC certified (yes/no)	No
FLEGT license (yes/no)	N/A

Variation type	Natural wood grain and/or Colour tone, Light and environment conditions may
Purposeful distressing type	No distressing
Additional information	

**Packaging**

Units per lot	
Cbm (m3) / Gross weight (Kg)	0,077 / 10,4
Nº of boxes	1

Box 1	1
Description	KAMELIA Coffee table of walnut veneer and metal
Description box	FULL ITEM
Height x Width x Depth (cm)	10 x 118 x 65
Cbm (m3) / Gross weight (Kg) / Net weight (Kg)	0,077 / 10,4 / 8,5

Box 2	
Description	
Description box	
Height x Width x Depth (cm)	x x
Cbm (m3) / Gross weight (Kg) / Net weight (Kg)	/ /

Box 3	
Description	
Description box	
Height x Width x Depth (cm)	x x
Cbm (m3) / Gross weight (Kg) / Net weight (Kg)	/ /

Box 4	
Description	
Description box	
Height x Width x Depth (cm)	x x
Cbm (m3) / Gross weight (Kg) / Net weight (Kg)	/ /

Box 5	
Description	
Description box	
Height x Width x Depth (cm)	x x
Cbm (m3) / Gross weight (Kg) / Net weight (Kg)	/ /