



# ARABELLA

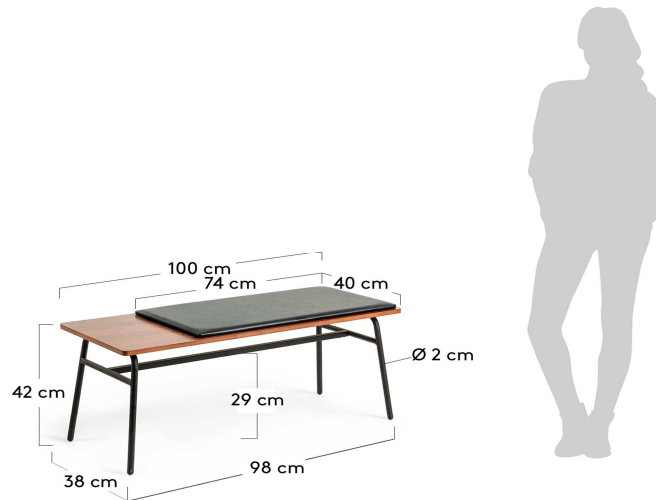
## Descriptions

Product code	CC0757M46
Product description	ARABELLA Bench metal, PU black walnut veneer Bench with top in walnut veneer and synthetic leather, metal feet.
Origin country	TW

## Dimensions

Height x Width x Depth (cm)	44 cm	x	100 cm	x	40 cm
Product weight (kg)	9,8 Kg				
Seat height (cm)	44				
Seat width (cm)	74				
Seat depth (cm)	40				
Armrest height (cm)					
Armrest width (cm)					
Backrest height (cm)					

## Technical drawings



## Features

Use (domestic/contract/office)	Domestic
Indoor (yes/no)	Yes
Alfresco (yes/no)	No
Outdoor (yes/no)	No
Stackable (yes/no)	No
Stacks up to	
Max. load (kg)	75
Adjustable height (yes/no)	No
Adjustable height mechanism description	N/A

Foldable (yes/no)	No
Swivel (yes/no)	No
Reclining (yes/no)	No
Armrest included (yes/no)	No
Padded (yes/no)	No
Footrest included (yes/no)	No
Fabric durability resistance (Martindale cycles)	>30.000
Water repellent (yes/no)	No
Stain resistant (yes/no)	No
Fire resistant (yes/no)	No
UV resistance level (1-5)	
Removable chair cover (yes/no)	No
Removable cover parts description	N/A
Adjustable feet (yes/no)	No
Castors information	N/A
Cushion included (yes/no)	No
Cushion removable cover (yes/no)	N/A

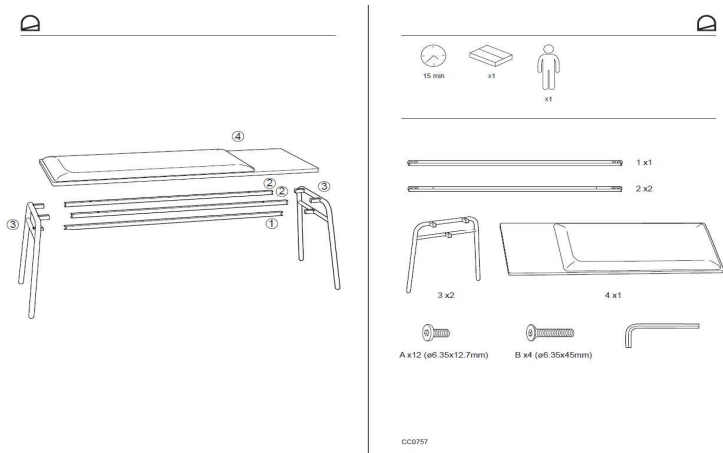
**Materials**

Main material	Solid wood
Frame construction	Steel
Main finishing	Veneered
Seat material details	Walnut veneer, MDF (Medium density fibers)
Backrest material details	N/A
Armrest material details	N/A
Fabric type & specifications	N/A
Fabric composition	100% PVC (Polyvinyl chloride)
Fabric grammage (g/m2)	450
Upholstery fill material	N/A
Foam density (kg/m3)	25
Legs material	Steel
Legs finishing	Matt, Powder coated painted
Feet pad type	Plastic pad
Cushion fabric type	N/A
Cushion fabric composition	
Cushion grammage (g/m2)	
Cushion fill material	N/A
Cushion thickness (cm)	

**Assembly**

Unpacking time (min)	5
Assembly required (yes/no)	Yes
Difficulty of assembly	Easy
People required	2
Assembly time (min)	20
Assembly suggestions	Join the frame first and then screw it to the seat. Check and classify all fittings before starting the assembly. Assemble on a soft surface.

Assembly instructions



**Care & Warranties**

General warnings	Do not place near direct sources of heat. Keep away from direct solar light. Do not use abrasive products like acetones, bleaches, solvents, etc. Sharp elements can scratch the product surface.
Specific use and care instructions	Clean the product with a wet cloth dampened in a mild cleaner and dry immediately. Dust it with a duster.
Specific use and care instructions for outdoor	N/A
Years of guarantee	2
Made according to	EN 12520:2015 for household use seats
FSC certified (yes/no)	No
PEFC certified (yes/no)	No
FLEGT license (yes/no)	N/A
Variation type	Natural wood grain and/or Colour tone, Light and environment conditions may
Purposeful distressing type	No distressing
Additional information	

**Packaging**

Units per lot	
Cbm (m3) / Gross weight (Kg)	0,063 / 11,5
Nº of boxes	1
Box 1	1
Description	ARABELLA Bench metal, PU black walnut veneer
Description box	FULL ITEM
Height x Width x Depth (cm)	13 x 111 x 44
Cbm (m3) / Gross weight (Kg) / Net weight (Kg)	0,063 / 11,5 / 9,8
Box 2	
Description	
Description box	
Height x Width x Depth (cm)	x x
Cbm (m3) / Gross weight (Kg) / Net weight (Kg)	/ /
Box 3	
Description	
Description box	
Height x Width x Depth (cm)	x x
Cbm (m3) / Gross weight (Kg) / Net weight (Kg)	/ /