



MAHON

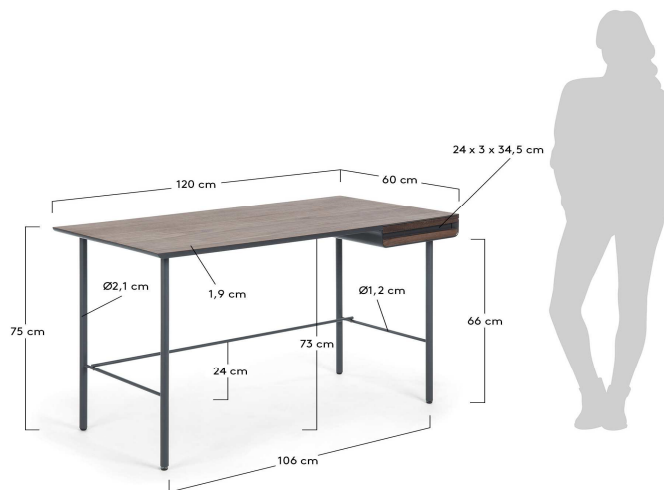
Descriptions

Product code	MH008L02
Product description	MAHON Desk 120x60 walnut veneer, mdf matt graphite Desk in walnut veneer and MDF matt graphite lacquered. Front with drawer in walnut veneer, metal legs.
Origin country	CN

Dimensions

Height x Width x Depth (cm)	75 cm	x	120 cm	x	60 cm
Product weight (Kg)	23 Kg				

Technical drawings



Features

Use (domestic/contract/office)	Domestic
Indoor (yes/no)	Yes
Alfresco (yes/no)	No
Outdoor (yes/no)	No
Max. load (kg)	30
Adjustable height (yes/no)	No
Adjustable height mechanism description	N/A
Top tilt angle range	
Feet pad type	Plastic pad
Adjustable feet (yes/no)	Yes
Doors included (yes/no)	No
Number of doors	
Door opening system	N/A
Door soft-close function (yes/no)	N/A
Drawers included (yes/no)	Yes
Number of drawers	1

Drawer opening system	Standard pull opening
Runner guide mechanism	Soft-closing undermount slides
Runner soft-close function (yes/no)	Yes
Drawers max. load (kg)	2
Shelves included (yes/no)	No
Number of shelves	
Adjustable shelves (yes/no)	N/A
Shelves max. load (kg)	
Wall brackets antitilting included (yes/no)	No

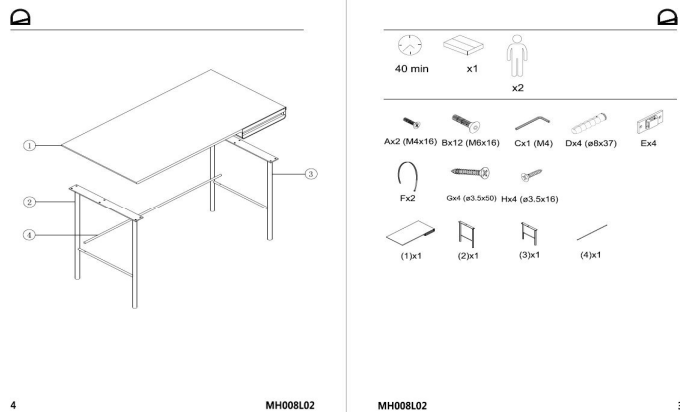
Materials

Material description	
Finishing description	N/A
Back processed (yes/no)	No
Legs material	Steel
Legs finishing	Powder coated painted
Door material	N/A
Drawer material	Medium Density Fibers MDF with low formaldehyde emissions E0
Runner material of the drawers	Steel
Shelves material	N/A

Assembly

Unpacking time (min)	3
Assembly required (yes/no)	Yes
Difficulty of assembly	Medium
People required	2
Assembly time (min)	20
Assembly suggestions	Assemble on a soft protecting surface.

Assembly instructions



Care & Warranties

General warnings	Do not place near direct sources of heat. Keep away from direct solar light. Do not use abrasive products like acetones, bleaches, solvents, etc. Sharp elements can scratch the product surface.
Specific use and care instructions	Clean the product with a wet cloth dampened in a mild cleaner and dry immediately. Dust it with a duster.
Specific use and care instructions for outdoor	
Years of guarantee	2
Made according to	
FSC certified (yes/no)	No
PEFC certified (yes/no)	N/A
FLEGT license (yes/no)	N/A

Variation type	Natural wood grain and/or Colour tone, Light and environment conditions may
Purposeful distressing type	No distressing
Additional information	

Packaging

Units per lot	
Cbm (m3) / Gross weight (Kg)	0,184 / 29
Nº of boxes	1

Box 1	1
Description	MAHON Desk 120x60 walnut veneer, mdf matt graphite
Description box	FULL ITEM
Height x Width x Depth (cm)	19 x 133 x 73
Cbm (m3) / Gross weight (Kg) / Net weight (Kg)	0,184 / 29 / 21

Box 2	
Description	
Description box	
Height x Width x Depth (cm)	x x
Cbm (m3) / Gross weight (Kg) / Net weight (Kg)	/ /

Box 3	
Description	
Description box	
Height x Width x Depth (cm)	x x
Cbm (m3) / Gross weight (Kg) / Net weight (Kg)	/ /

Box 4	
Description	
Description box	
Height x Width x Depth (cm)	x x
Cbm (m3) / Gross weight (Kg) / Net weight (Kg)	/ /

Box 5	
Description	
Description box	
Height x Width x Depth (cm)	x x
Cbm (m3) / Gross weight (Kg) / Net weight (Kg)	/ /