



# MAHON

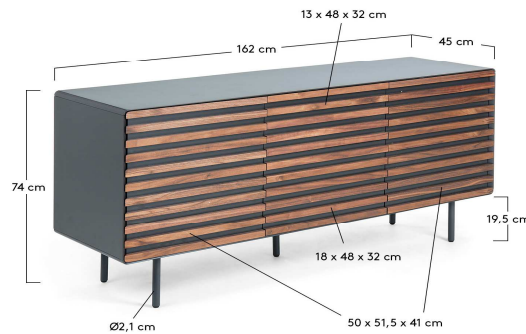
## Descriptions

Product code	MH001L02
Product description	MAHON Sideboard 162X74 walnut veneer, mdf matt graphi As well as providing plenty of storage, our Kesia sideboard has a cutting-edge design that'll elevate all your interiors. The combination of the walnut veneer fronts and black finishes adds character, too.
Origin country	CN

## Dimensions

Height x Width x Depth (cm)	74 cm	x	162 cm	x	45 cm
Product weight (Kg)	58 Kg				

## Technical drawings



## Features

Use (domestic/contract/office)	Domestic
Indoor (yes/no)	Yes
Alfresco (yes/no)	No
Outdoor (yes/no)	No
Max. load (kg)	60
Adjustable height (yes/no)	No
Adjustable height mechanism description	N/A
Top tilt angle range	
Feet pad type	Plastic pad
Adjustable feet (yes/no)	Yes
Doors included (yes/no)	Yes
Number of doors	2
Door opening system	Pulling folding door
Door soft-close function (yes/no)	Yes
Drawers included (yes/no)	Yes
Number of drawers	2

Drawer opening system	Standard pull opening
Runner guide mechanism	Soft-closing undermount slides
Runner soft-close function (yes/no)	Yes
Drawers max. load (kg)	3
Shelves included (yes/no)	Yes
Number of shelves	2
Adjustable shelves (yes/no)	Yes
Shelves max. load (kg)	5
Wall brackets antitilting included (yes/no)	Yes

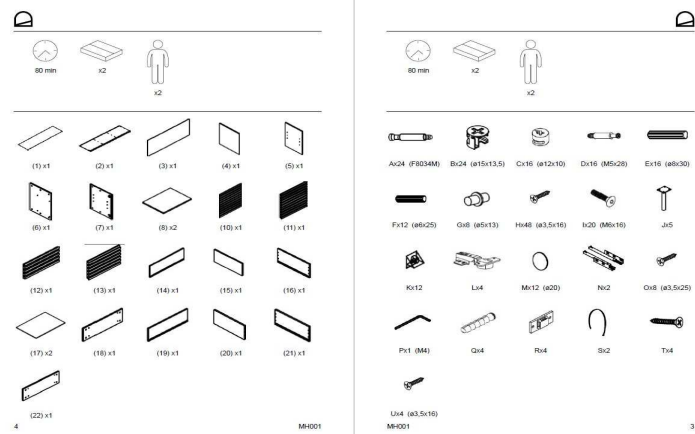
**Materials**

Material description	N/A
Finishing description	No
Back processed (yes/no)	Steel
Legs material	Powder coated painted
Legs finishing	Medium Density Fibers MDF with low formaldehyde emissions E0
Door material	Medium Density Fibers MDF with low formaldehyde emissions E0
Drawer material	Steel
Runner material of the drawers	Medium Density Fibers MDF with low formaldehyde emissions E0
Shelves material	

**Assembly**

Unpacking time (min)	3
Assembly required (yes/no)	Yes
Difficulty of assembly	Hard
People required	2
Assembly time (min)	80
Assembly suggestions	Check and classify all fittings before starting the assembly. Assemble on a soft surface.

**Assembly instructions**



**Care & Warranties**

General warnings	Do not place near direct sources of heat. Keep away from direct solar light. Do not use abrasive products like acetones, bleaches, solvents, etc. Sharp elements can scratch the product surface.
Specific use and care instructions	Clean the product with a wet cloth dampened in a mild cleaner and dry immediately. Dust it with a duster.
Specific use and care instructions for outdoor	
Years of guarantee	2
Made according to	
FSC certified (yes/no)	No
PEFC certified (yes/no)	N/A
FLEGT license (yes/no)	N/A

Variation type	No natural variation, Light and environment conditions may distort the color
Purposeful distressing type	No distressing
Additional information	

**Packaging**

Units per lot	
Cbm (m3) / Gross weight (Kg)	0,289 / 75
Nº of boxes	2

Box 1	1
Description	MAHON Sideboard 162X74 walnut veneer, mdf matt graphi
Description box	1,2,3,4,5,6,7
Height x Width x Depth (cm)	14,5 x 171,5 x 68
Cbm (m3) / Gross weight (Kg) / Net weight (Kg)	0,169 / 40 / 34

Box 2	2
Description	MAHON Sideboard 162X74 walnut veneer, mdf matt graphi
Description box	8,10,11,12,13,14,15,16,17,18,19,20,21,22,Fer
Height x Width x Depth (cm)	27 x 66 x 67,5
Cbm (m3) / Gross weight (Kg) / Net weight (Kg)	0,120 / 35 / 30

Box 3	
Description	
Description box	
Height x Width x Depth (cm)	x x
Cbm (m3) / Gross weight (Kg) / Net weight (Kg)	/ /

Box 4	
Description	
Description box	
Height x Width x Depth (cm)	x x
Cbm (m3) / Gross weight (Kg) / Net weight (Kg)	/ /

Box 5	
Description	
Description box	
Height x Width x Depth (cm)	x x
Cbm (m3) / Gross weight (Kg) / Net weight (Kg)	/ /